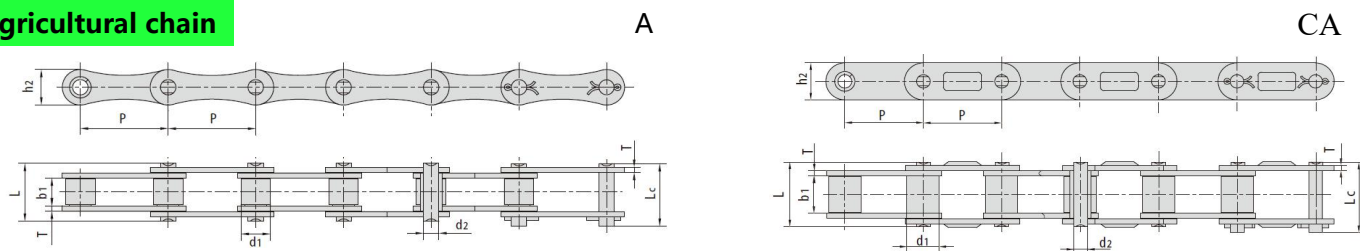


## 农机链 agricultural chain



### A/CA型型钢制农机链 A/CA type steel agricultural chains

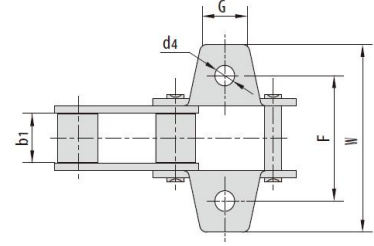
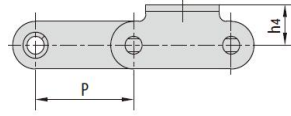
华宇链号 Huayu Chain No.	节距 Pitch	滚子直径 Roller diameter	内节内宽 Width between inner plates	销轴直径 Pin diameter	销轴长度 Pin length		链板尺寸 Plate dimension		抗拉强度 Tensile strength	平均抗拉 强度 Average tensile strength	每米长重 Weight per meter
	P	d1 max	b1 min	d2 max	Lmax	Lc max	h2 max	T max	Q min	Q0	q
	mm	mm	mm	mm	mm	mm	mm	mm	kN	kN	kg/m
*A550	41.4	16.87	19.81	7.19	35.00	38.00	19.30	2.80	39.1	51.2	1.79
*A555	41.4	16.87	12.70	7.19	29.10	32.00	19.30	3.10	39.1	56	1.6
*A557	41.4	17.78	20.24	8.00	37.40	40.60	23.10	3.10	55.61	74.3	2.45
*A620	42.01	17.91	24.51	7.19	41.80	45.20	20.20	3.25	39.1	55.1	2.18
CA627	30	15.88	19.05	8.28	36.10	39.40	20.50	3.00	50	55	2.51
CA550D	41.4	16.87	19.81	7.19	35.00	38.00	19.30	2.80	39.1	51.2	1.94
CA555D	41.4	16.87	12.70	7.19	29.10	32.00	19.30	3.10	39.1	56	1.72
CA557D	41.4	17.78	20.24	8.00	37.40	40.60	23.10	3.10	55.61	74.3	2.6
CA620D	42.01	17.91	24.51	7.19	41.80	45.20	20.20	3.25	39.1	55.1	2.35
CA2062H	38.1	22.23	12.57	5.94	29.20	31.60	18.00	3.25	31.1	35	2.3
CA627F1	30	15.88	19.60	8.28	36.10	39.70	20.50	3.00	50	55	2.55
38.4R	38.4	15.88	19.05	6.92	33.80	36.40	17.30	2.50	33	41.2	1.7
38.4V	38.4	15.88	18.00	6.92	35.00	38.00	17.30	3.00	40	50	1.83
38.4VB	38.4	15.88	19.05	8.28	36.10	39.40	20.50	3.00	50	62.5	2.17
55VD	41.4	17.90	23.00	8.22	39.30	42.40	20.00	2.80	42	45	2.34
CA2060H	38.1	11.91	12.70	5.94	29.20	31.60	18.00	3.25	31.1	40.5	1.45
CA550	41.4	16.87	19.81	7.19	35.00	38.00	19.30	2.80	39.1	51.2	1.94
CA550(U)	41.4	16.86	19.80	7.19	35.50	28.30	19.50	2.80	48.91	53.8	1.98
CA550F4	41.4	14.35	20.24	7.14	35.00	38.50	19.05	2.80	50	52	1.76
CA550F5	41.4	16.66	20.24	7.14	35.00	38.50	19.05	2.80	45	52	1.97
CA550H	41.4	16.74	20.00	7.14	36.00	39.10	19.10	3.00	57.82	60.8	2
CA550V	41.4	16.80	19.05	8.28	36.10	39.10	22.00	3.00	55	68.7	2.24
CA550VF2	41.4	16.80	19.05	8.28	36.10	38.80	20.00	3.00	55	68.7	2.13
CA555	41.4	16.87	12.70	7.19	29.10	32.00	19.30	3.10	39.1	56	1.72
CA557	41.4	17.78	20.24	8.00	37.40	40.60	23.10	3.10	55.61	74.3	2.6
CA557(U)	41.4	17.78	19.50	8.00	37.50	40.60	23.30	3.10	64.5	71	2.55
CA620	42.01	17.91	24.51	7.19	41.80	45.20	20.20	3.25	39.1	55.1	2.35
CA960	41.4	17.78	22.61	8.90	40.10	43.00	23.10	3.00	66	72.6	6.94
CAE44151	28.575	15.88	16.20	7.92	33.50	36.90	22.20	3.25	58.8	64.5	2.73
S62F3	41.91	19.05	25.40	8.00	42.00	44.60	26.00	3.00	47	58.7	3.12

\*A型

\*A type

农机链附件

agricultural chain attachments

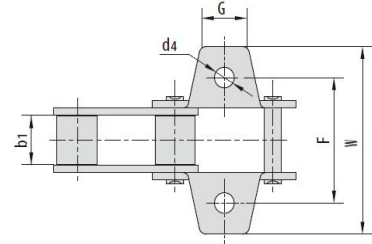
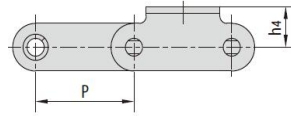


A型/CA型型钢制农机链附件 C type and CA type steel agricultural chain attachments

华宇链号 Huayu Chain No.	P	b1	G	F	W	h4	d4
	mm	mm	mm	mm	mm	mm	mm
38.4RK1F1	38.4	19.05	22	58	83	15.4	9
38.4RK1F2	38.4	19.05	22	57.5	82	16	9
38.4RK1F3	38.4	19.05	20	58	84.4	15.5	8.5
38.4RK1F4	38.4	19.05	20	57	75	16	8.5
38.4RK1F7	38.4	19.05	22	57.5	82	16	10.5
38.4RK1F8	38.4	19.05	20.3	57	78	16	8.6
38.4RK1F9	38.4	19.05	20	57	73	10.7	6.5
38.4RK1F10	38.4	19.05	20	57	78	16	8.5
38.4SHK1	38.4	19	20	57	75	16	8.6
38.4VF3K1	38.4	18	20	58	79	15.4	9
38.4VF3K1F2	38.4	18	20	57.5	79	15.4	8.5
38.4VK1	38.4	18	22	57.5	82	15.4	9
38.4VK1F6	38.4	18	22	56.8	74.8	16.3	8.5
38.4VK1F7	38.4	18	22	57.5	82	15.4	8.4
38.4VK1F9	38.4	18	22	56.8	82	16.3	8.7
C55VK1	41.4	22.23	23	58	75.6	15	9
C55VK1F1	41.4	22.23	30	58	76	16	9
CA550A29	41.4	19.81	22.23	50.8	71.4	12.7	9.92
CA550F5AK29M	41.4	20.24	26.2	50.8	75.4	16.5	10.24
CA550AK4F2	41.4	20.24	26	54	80.6	16.5	10.3
CA550F2	41.4	19.5	22	50.8	72	14.7	8.5
CA550F4K19	41.4	20.24	22.23	50.8	77.8	12.7	6.75
CA550AK29M	41.4	19.81	26.2	50.8	75.4	16.5	10.24
CA550F5K1	41.4	20.24	22.2	54	71.5	12.7	8.5
CA550F5K29F1	41.4	20.24	22	50.8	75.4	12.7	10.3
CA550K1F1	41.4	19.81	20	54	76.2	16.5	8.3
CA550K1F15	41.4	19.81	22	50.8	76.2	12.7	8.5
CA550K1F16	41.4	19.81	22	53.8	75	11.7	8.5
CA550K1F18	41.4	19.81	22.2	53.7	71.1	12.7	9.9

农机链附件

agricultural chain attachments

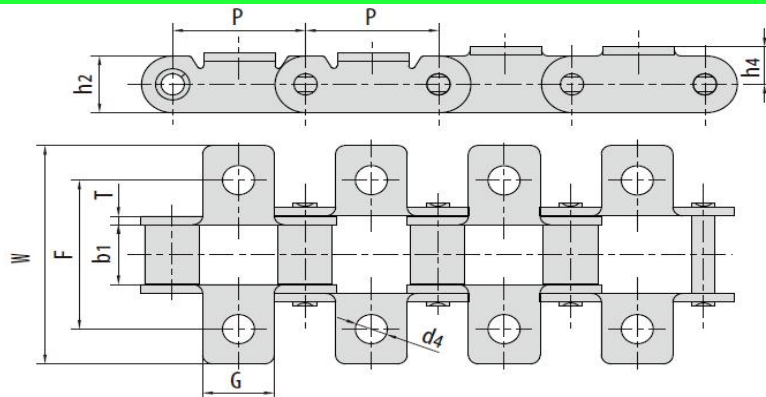


A型/CA型型钢制农机链附件 C type and CA type steel agricultural chain attachments

华宇链号 Huayu Chain No.	P	b1	G	F	W	h4	d4
	mm	mm	mm	mm	mm	mm	mm
CA550K1F2	41.4	19.81	20	50.8	76.2	16.5	8.3
CA550K1F7	41.4	19.81	26.2	50.8	75.4	16.5	8.4
CA550K25	41.4	19.81	22.23	50.8	71.4	12.7	8.7
CA550K29F1	41.4	19.81	22.2	50.8	75.4	12.7	10.3
CA550VF2K1	41.4	19.05	27.18	51	75.54	16.5	8.33
CA550VK1	41.4	19.05	27	54	75.54	16.5	8.5
CA550VK1F1	41.4	19.05	27	50.8	75.54	16.5	8.5
CA557F7K1	41.4	20.24	25.7	57.2	78.2	16.5	10.5
CA557K1	41.4	20.24	22	50.8	72	15.9	8.7
CA557K1F2	41.4	20.24	22	50.8	72	15.9	8.3

农机链附件

agricultural chain attachments

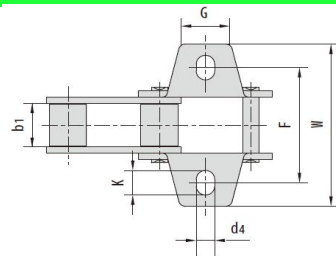
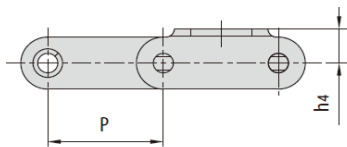


A型/CA型型钢制农机链附件 C type and CA type steel agricultural chain attachments

华宇链号 Huayu Chain No.	P	b1	G	F	W	h2	h4	T	d4
	mm	mm	mm	mm	mm	mm	mm	mm	mm
CA550K11	41.4	19.81	22.2	50.8	75.4	19.3	10.7	2.8	9.92
CA550K17	41.4	19.81	22.2	54	76.2	19.3	12.7	2.8	6.75
CA550K20	41.4	19.81	22.2	50.8	76.2	19.3	12.7	2.8	6.75
CA550K22	41.4	19.81	22.2	54	76.2	19.3	12.7	2.8	9.53
CA550K1F8	41.4	19.81	22.2	50.8	75.4	19.3	10.7	2.8	6.75
CA550K1F17	41.4	19.81	22.2	50.5	67.1	19.3	10.7	2.8	6.75
CA557K1F3	41.4	20.24	38.1	75.5	107.4	23.1	15.9	3.1	10.3
CA620K1F2	42.01	24.51	22.2	62.7	80.2	20.2	11.5	3.25	6.75
CA620K1S	42.01	24.51	22.2	62.7	80.2	20.2	11.5	3.25	8.33

农机链附件

agricultural chain attachments

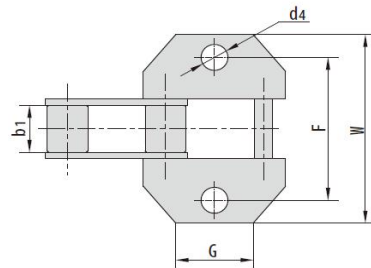
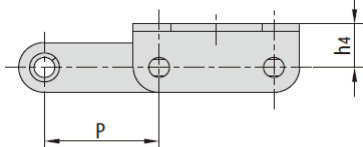


A型/CA型型钢制农机链附件 C type and CA type steel agricultural chain attachments

华宇链号 Huayu Chain No.	P mm	b1 mm	G mm	F mm	W mm	h4 mm	d4 mm	K mm
CA550K1	41.4	19.81	22	52.5	76.2	12.7	8.3	10
CA550K1F3	41.4	19.81	22	54	76.2	12.7	8.3	11.5
CA550F4K19F1	41.4	20.24	22.23	52.5	76.2	12.7	8.3	10
CA550K1F9	41.4	19.81	22	50.8	76.2	12.7	8.3	11.7
CA555K1	41.4	12.7	22	52.5	76.2	12.7	8.3	10

农机链附件

agricultural chain attachments

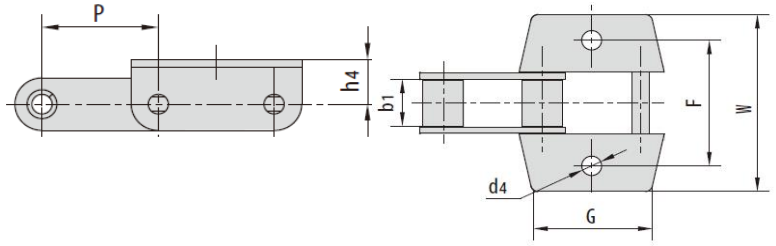


A型/CA型型钢制农机链附件 C type and CA type steel agricultural chain attachments

华宇链号 Huayu Chain No.	P mm	b1 mm	G mm	F mm	W mm	h4 mm	d4 mm
38.4RF5K1	38.4	19.05	29.1	58	76.5	11	8.0
38.4RF7K1	38.4	19.05	30	59.7	78.5	11.4	8.3
38.4RK1	38.4	19.05	29.1	58	76.5	15.1	10.5
38.4RK1F11	38.4	19.05	40	57	86	16	10.5
38.4RK1F6	38.4	19.05	40	57	84	16.5	10.3
38.4VBF3	38.4	19.05	40	57	86	16	10.3
38.4VBK1	38.4	19.05	29	58	87	14	10.5
38.4VBK1F3	38.4	19.05	39	57	80	16	10.5
38.4VK1F1	38.4	18	29.1	57	75	15.1	8.5
38.4VK1F10	38.4	18	39	58.4	82.4	14.5	10.5
38.4VK1F11	38.4	18	35	57	76.1	16	9.0
38.4VK1F2	38.4	18	29.1	57	75	15.1	10.5
38.4VK1F3	38.4	18	29.1	57	75	15.1	9.0
CA550HF7K1	41.4	20	22.6	56.7	74.3	13.2	8.5
CA550HK1	41.4	20	22.6	54	71.5	12.7	8.5
CA550K18	41.4	19.81	22.6	54	71.6	12.7	8.5
CA550K1F6	41.4	19.81	48.5	54	76.2	16.5	10.5
CA550VK18	41.4	19.05	22.6	54	71.6	12.7	8.5

农机链附件

agricultural chain attachments

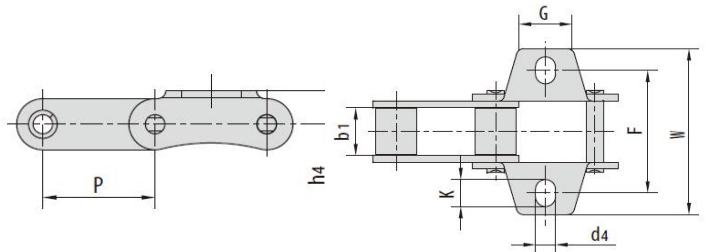


A型/CA型型钢制农机链附件 C type and CA type steel agricultural chain attachments

华宇链号 Huayu Chain No.	P mm	b1 mm	G mm	F mm	W mm	h4 mm	d4 mm
38.4VK1F8	38.4	18.00	40.00	57	86	16	10.5
38.4VBF5	38.4	19.05	40.00	57	86	14	10.5
38.4VBF6	38.4	19.05	20.00	57	75	16	8.6
38.4VBF7	38.4	19.05	40.00	58.5	86.6	14	10.5
CA550K1F4	41.4	19.81	48.50	54	76.2	16.5	8.5
CA550VK1F3	41.4	19.05	56.00	54	75.54	16.5	8.5
CA550K1F6	41.4	19.81	48.50	54	76.2	16.5	10.5
CA550K18	41.4	19.81	22.60	54	71.6	12.7	8.5
CA620A1F1	42.01	24.51	63.50	67.7	91.7	16.1	10.5
CA620WK1F1	42.01	24.51	62.20	69	90.8	16.2	10.3

农机链附件

agricultural chain attachments

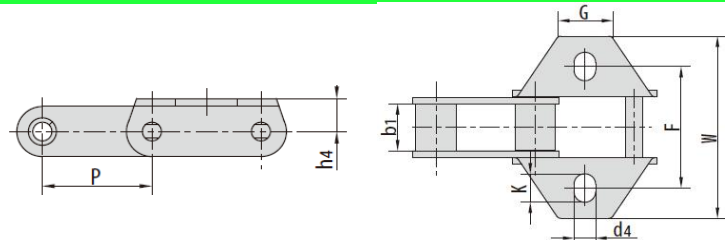


A型/CA型型钢制农机链附件 C type and CA type steel agricultural chain attachments

华宇链号 Huayu Chain No.	P mm	b1 mm	G mm	F mm	W mm	h4 mm	d4 mm	K mm
CA550K19	41.4	19.81	22	50.8	71	12.7	8.3	11.0
CA550K19F1	41.4	19.81	22	54	71	12.7	8.3	11.0
CA550K19F2	41.4	19.81	25.4	50.8	71	12.7	8.4	11.5

农机链附件

agricultural chain attachments

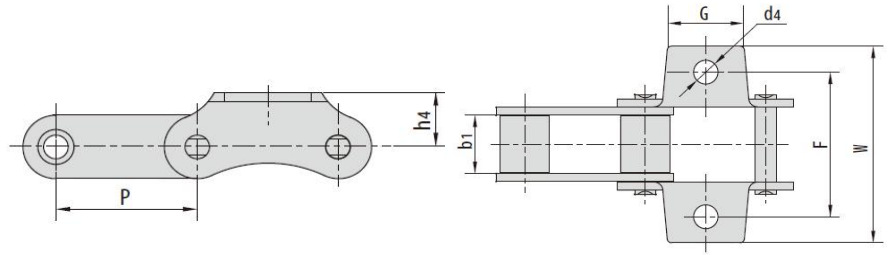


A型/CA型型钢制农机链附件 C type and CA type steel agricultural chain attachments

华宇链号 Huayu Chain No.	P mm	b1 mm	G mm	F mm	W mm	h4 mm	d4 mm	K mm
CA550K1F21	41.4	19.81	22.6	53.6	73	12.4	10.4	12.0
CA550VK1F4	41.4	19.05	34	54	83	15	8.2	11.5
CA557F2	41.4	20.24	22.23	53.98	79.3	14.3	9.9	13.6

**农机链附件**

agricultural chain attachments

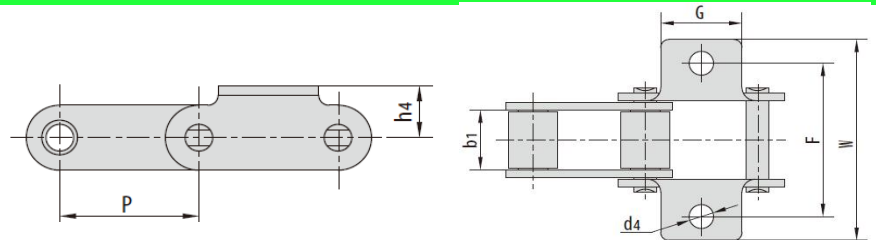


**A型/CA型型钢制农机链附件 C type and CA type steel agricultural chain attachments**

华宇链号 Huayu Chain No.	P	b1	G	F	W	h4	d4
	mm	mm	mm	mm	mm	mm	mm
CA550F1	41.4	19.81	22.23	53.95	70.6	12.7	9.9
CA550F20K19	41.4	20.24	22.00	50.8	71	12.7	9.75
CA550K19F3	41.4	19.81	25.50	50.8	68.4	16.5	8.33
CA550K1F20	41.4	19.81	22.20	50.5	71.1	12.7	8.33
CA550VK19F1	41.4	19.05	25.50	50.8	67.8	16.5	8.33
CA557AK4	41.4	20.24	26.19	50.8	69.4	16.5	8.33
CA557AK4F1	41.4	20.24	26.00	53.5	80.6	16.5	10.7
CA557K1F9	41.4	20.24	21.00	55	78.5	17.4	10

**农机链附件**

agricultural chain attachments

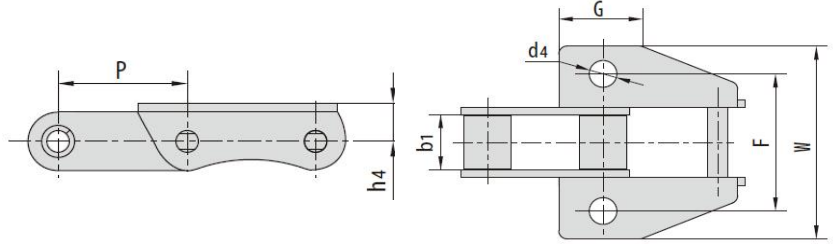


**A型/CA型型钢制农机链附件 C type and CA type steel agricultural chain attachments**

华宇链号 Huayu Chain No.	P	b1	G	F	W	h4	d4
	mm	mm	mm	mm	mm	mm	mm
CA2060A1F1	38.1	12.57	28.6	42.9	67.8	14.7	5.5
CA2060HA1F1	38.1	12.57	27	38	56	13	8.3
CA2060HK1F2	38.1	12.57	28.6	42.9	67.8	14.7	5.5
38.4VBF15K1	38.4	19.05	47	57	79	14	10.5
38.4VBK1F1	38.4	19.05	47	57	79	14	10.5
38.4VK1F12	38.4	18.85	47	58	77	11.8	8.5
55VDK1	41.4	23	30	58	76	16	9.0
CA550A1F5	41.4	19.81	38.1	74.6	105.6	12.7	10.3
CA557A1F1	41.4	20.24	38.1	74.6	105.6	12.7	10.3
CA557A1F3	41.4	20.24	38.1	75.5	107.4	15.9	10.3
CA557F5K1	41.4	20.24	38.1	54.2	78.3	16.5	10.5
CA557F9K1	41.4	20.24	45	54.2	78.3	16.5	10.5
CA557K1F5	41.4	20.24	27	50	75	17.7	8.5
CA557K1F8	41.4	20.24	28.6	50.6	73.6	14.3	9.9
S77F1K1	58.34	22.23	40	77	128	20	10.5
S77F2K1	58.34	22.23	40	77	132	25	10.5

农机链附件

agricultural chain attachments

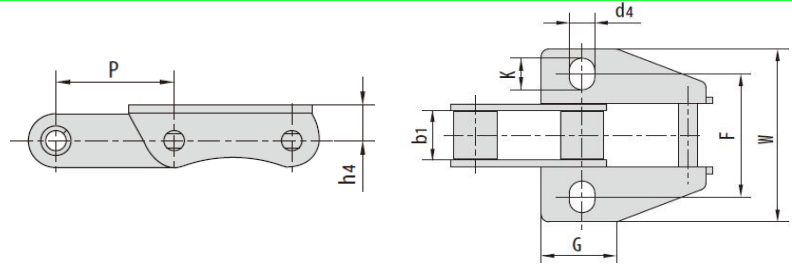


A型/CA型型钢制农机链附件 C type and CA type steel agricultural chain attachments

华宇链号 Huayu Chain No.	P	b1	G	F	W	h4	d4
	mm	mm	mm	mm	mm	mm	mm
CA550F5K39M	41.4	20.24	29.50	50.8	71.4	12.7	10.3
CA550HK39M	41.4	20	31.00	57	78	14.2	10.5
CA550K39M	41.4	19.81	29.50	50.8	71.4	12.7	9.8
CA550K39MF3	41.4	19.81	29.50	50.8	71.4	12.7	10.3
CA550K39MF4	41.4	19.81	30.00	50.5	71.14	12.7	9.9
CA557K39M	41.4	20.24	29.50	50.8	71.4	12.7	9.8
CA557K39MF1	41.4	20.24	22.00	57.15	77.6	14	9.9
CA557K39MF3	41.4	20.24	31.00	57	78	14.5	10.3
CA557K39MF17	41.4	20.24	29.50	57.15	73.56	13.84	8.7

农机链附件

agricultural chain attachments

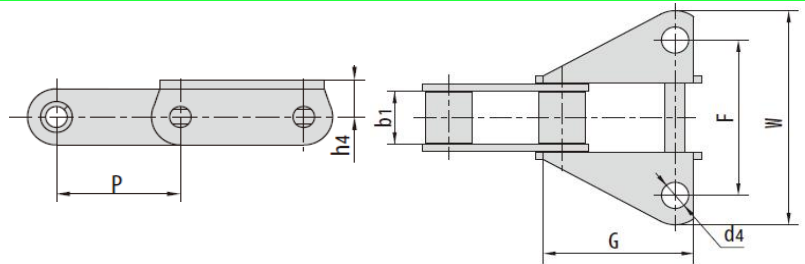


A型/CA型型钢制农机链附件 C type and CA type steel agricultural chain attachments

华宇链号 Huayu Chain No.	P	b1	G	F	W	h4	d4	K
	mm	mm	mm	mm	mm	mm	mm	mm
CA550K39MF2	41.4	19.81	29.5	50.8	71.4	12.7	9.9	13.0
CA557K39MF2	41.4	20.24	29.5	50.8	71.4	12.7	9.9	13.0
CA557K39MF6	41.4	20.24	29.5	53.98	74.5	12.7	9.9	13.0
A557F1K39MF3	41.4	20.24	31	54	78	12.7	10.5	12.5

农机链附件

agricultural chain attachments



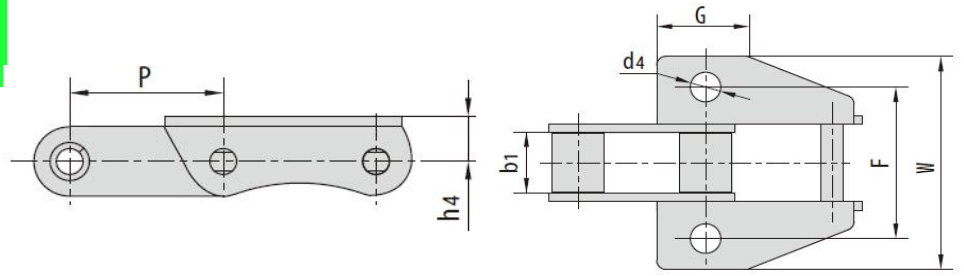
A型/CA型型钢制农机链附件 C type and CA type steel agricultural chain attachments

华宇链号 Huayu Chain No.	P	b1	G	F	W	h4	d4
	mm	mm	mm	mm	mm	mm	mm
38.4VBF8	38.4	19.05	20	58	87.4	14	10.5
38.4VBK39M	38.4	19.05	20	58	87.4	14	10.5
CA557F1	41.4	20.24	60	53.94	76.2	14.6	9.9



农机链附件

agricultural chain attachments

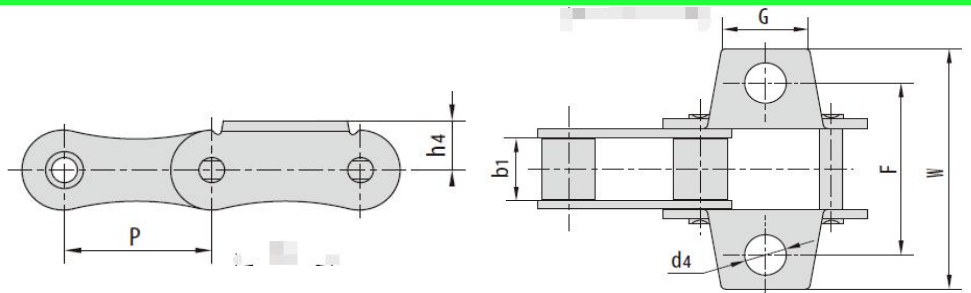


A型/CA型型钢制农机链附件 C type and CA type steel agricultural chain attachments

华宇链号 Huayu Chain No.	P	b1	G	F	W	h4	d4
	mm	mm	mm	mm	mm	mm	mm
A557K39M	41.4	20.24	29.50	56.7	77.8	13.5	10.1
A557K39MF2	41.4	20.24	29.50	56.7	77.8	13.5	10.5
A557K39MF1	41.4	20.24	31.00	57.15	78	14.2	10.5
A557K35M	41.4	20.24	30.00	50.8	73.5	14.1	10.31
A557K39MF4	41.4	20.24	29.50	56.7	77.8	13.5	10.3
A557K39MF7	41.4	20.24	29.50	63	88	13.5	11
A557F1K39M	41.4	20.24	31.00	57	78	14.2	10.5
A557K39MF3	41.4	20.24	31.00	50.8	71.4	14.3	8.3
A557F16K39M	41.4	20.24	28.00	63.5	88.9	14.2	10.5
A557K39MF9	41.4	20.24	31.00	57.2	77.7	13.8	10.3
A557K39MF10	41.4	20.24	31.00	57.2	77.7	14.3	9.9

农机链附件

agricultural chain attachments



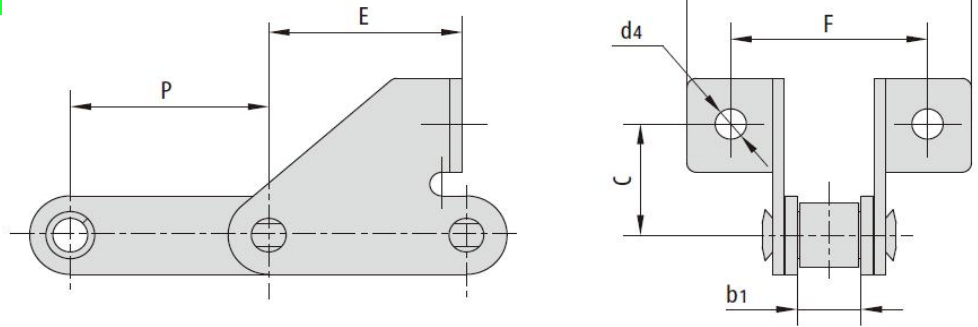
A型/CA型型钢制农机链附件 C type and CA type steel agricultural chain attachments

华宇链号 Huayu Chain No.	P	b1	G	F	W	h4	d4
	mm	mm	mm	mm	mm	mm	mm
A557F1K1	41.4	20.24	26.2	51	71.6	16.51	8.3
A557F2K1	41.4	20.24	28.6	57.2	79.1	14.3	13.1
A557K1F9	41.4	20.24	28.6	55.8	78	14.3	13.1
A557K27S	41.4	20.24	28.6	57.15	79.35	14.3	13.1



农机链附件

agricultural chain attachments

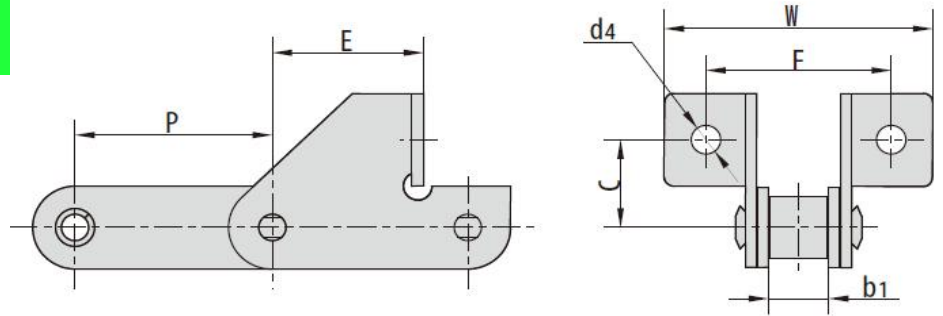


A型/CA型型钢制农机链附件 C type and CA type steel agricultural chain attachments

华宇链号 Huayu Chain No.	P	b1	E	F	W	C	d4
	mm	mm	mm	mm	mm	mm	mm
38.4RSD	38.4	19.05	38.40	52	71	24.5	8.4
38.4RSDF1	38.4	19.05	38.40	52	70	24.5	8.4
38.4RSDF2	38.4	19.05	38.40	52	71	24.5	9
38.4RSDF3	38.4	19.05	38.20	52	72	24	8.4
38.4RSDF4	38.4	19.05	37.40	52	71	24	8.4
38.4RSDF5	38.4	19.05	35.90	60	79	24	6.4
38.4RSDF6	38.4	19.05	38.40	62	81	24.5	8.5
38.4RSDF7	38.4	19.05	38.40	60	81	24.5	8.4
38.4RSDF8	38.4	19.05	38.40	60	81	24.5	6.4
38.4RSDF10	38.4	19.05	38.40	52	71	24.5	8.4
38.4VBSD	38.4	19.05	38.40	52	71	25	8.4
38.4VBSD1	38.4	19.05	38.40	52	73	24	8.3
38.4VBSD2	38.4	19.05	38.40	52	73	24	8.4
38.4VBSD3	38.4	19.05	38.40	52	70.1	24.5	8.5
38.4VBSD4	38.4	19.05	38.20	52	72	24	8.4
38.4VBSD5	38.4	19.05	37.40	52	73	24	8.7
38.4VSD	38.4	18	38.40	52	71	24	8.4
CA550F5SDF1	41.4	20.24	36.90	47.6	68.2	31	8.7
CA550HSDF3	41.4	20	33.50	61.3	88.5	21.5	8.4
CA550SD	41.1	19.81	36.90	47.6	68.2	31	8.7
CA550SDF4	41.4	19.81	36.90	47.6	89	31	8.7
CA550SDF10	41.4	19.81	37.70	47.6	68.2	31	8.5

农机链附件

agricultural chain attachments

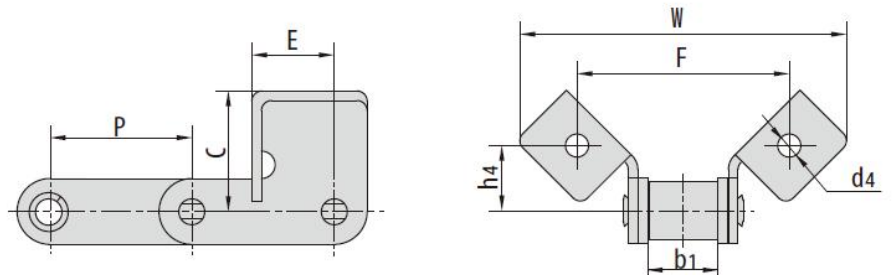


A型/CA型型钢制农机链附件 C type and CA type steel agricultural chain attachments

华宇链号 Huayu Chain No.	P	b1	E	F	W	C	d4
	mm	mm	mm	mm	mm	mm	mm
CA550SDF1	41.4	19.81	35.00	58	85	20.5	8.5
CA550SDF2	41.4	19.81	32.50	62	84	20	8.6
CA550SDF3	41.4	19.81	35.00	58	85	20.5	6.5
CA550SDF6	41.4	19.81	33.00	58	85	20.5	6.5
CA550SDF7	41.4	19.81	32.50	62	89	20	8.6
CA550F5SD	41.1	20.24	33.00	57.8	83.5	20	6.7
CA550F8SD	41.4	19.81	33.00	58	85.9	20.5	6.5
CA550SDF5	41.4	19.81	34.00	63	89	20	8
CA550SDF11	41.4	19.81	31.00	58	85	20.5	8.5
CA550SDF12	41.4	19.81	31.00	58	85	20.5	6.5
CA550HSD	41.4	20	33.40	58	90	20	6.5
CA550VSD	41.4	19.05	35.00	58	88.6	20.5	6.5

农机链附件

agricultural chain attachments

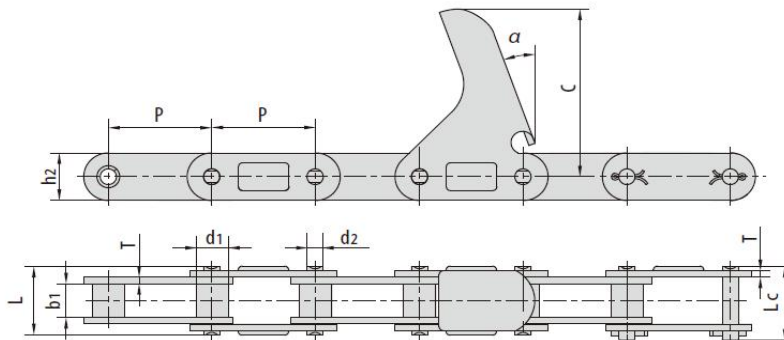


A型/CA型型钢制农机链附件 C type and CA type steel agricultural chain attachments

华宇链号 Huayu Chain No.	P	b1	E	C	F	W	h4	d4
	mm	mm	mm	mm	mm	mm	mm	mm
CA550F15	41.4	19.81	24.00	35.26	61.98	95.25	19.05	6.73
CA550F17	41.4	19.81	23.68	40.89	114.3	143.7	20.57	9.91
CA550VF13	41.4	19.05	25.4	59.60	79.35	135.45	28.6	8.74
CA550F18	41.4	19.81	24	35.26	61.98	95.25	19.05	8.33
CA550VF17	41.4	19.05	23.68	40.89	114.3	143.7	20.57	9.91

农机链附件

agricultural chain attachments

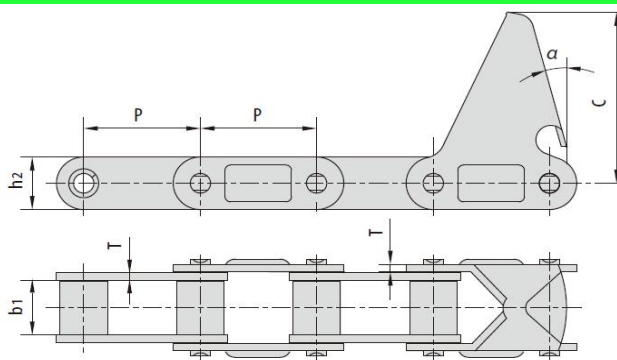


A型/CA型型钢制农机链附件 C type and CA type steel agricultural chain attachments

华宇链号 Huayu Chain No.	节距 Pitch	滚子直径 Roller diameter	内节内宽 Width between inner plates	销轴直径 Pin diameter	销轴长度 Pin length	链板尺寸 Plate dimension					抗拉强度 Tensile strength
	P	d1 max	b1 min	d2 max	L max	Lc max	h2 max	T	C	$\alpha$	Qmin
	mm	mm	mm	mm	mm	mm	mm	mm	mm		kN
CA2060-C6E	38.1	11.91	12.57	5.94	25.9	28.3	18.0	2.42	63.5	20.0°	31.10
CA2060H-C6E	38.1	11.91	12.57	5.94	31.0	31.6	18.0	3.25	63.5	22.5°	31.10
38.4VBF2-C6EF1	38.4	15.88	19.05	8.28	36.1	-	20.5	3.00	54.8	22.0°	50.00
CA550V-C6EF1	41.4	16.80	19.05	8.28	36.1	39.1	22.0	3.00	50.5	15.0°	55.00
CA550-LV41NF1	41.4	16:87	19.81	7.19	35.0	38.0	19.3	2.80	68.5	20.0°	39.10
CA550HF10-LV41N	41.4	16.66	19.40	7.19	35.8	-	19.3	3.10	68.5	20.0°	39.10
CA550HF8-LV41N	41.4	16.66	19.40	7.19	35.8	-	19.3	3.10	68.5	20.0°	39.10

农机链附件

agricultural chain attachments

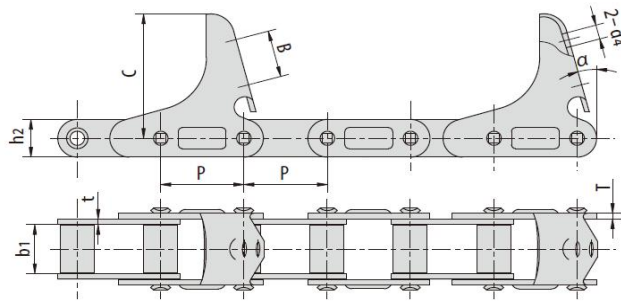


A型/CA型型钢制农机链附件 C type and CA type steel agricultural chain attachments

华宇链号 Huayu Chain No.	P	b1	h 2	T	C	$\alpha$
	mm	mm	mm	mm	mm	
CA550-C6E	41.4	19.81	19.3	2.8	55.6	—
CA550-C11E	41.4	19.81	19.3	2.8	63.5	—
CA550-C11EJ	41.4	19.81	19.3	2.8	66	—
CA550-C13E	41.4	19.81	19.3	2.8	92	—
CA550F4-C6E	41.4	20.24	19.05	2.8	55.6	22.5°
CA550-C6EF1	41.4	19.81	19.3	2.8	50	—
CA620-C13E	42.01	24.51	20.2	3.25	92	—

农机链附件

agricultural chain attachments

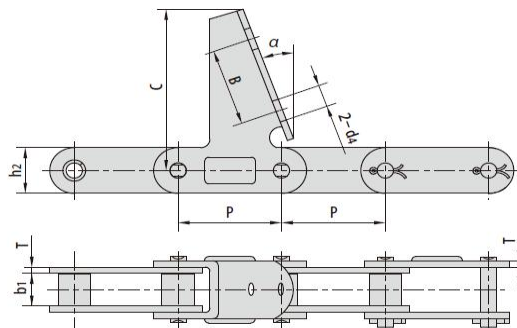


A型/CA型型钢制农机链附件 C type and CA type steel agricultural chain attachments

华宇链号 Huayu Chain No.	P mm	b1 mm	h 2 mm	t/T mm	C mm	B mm	d4 mm	α
CA620F5-C6EJ	40.25	24.51	20.20	3.25/3.10	66	24	6	15°
CA555-C6E	41.40	12.70	19.30	3.10	63.50	-	-	15°
CA555-C6EJ	41.40	12.70	19.30	3.25	66.00	25.40	7.30	15°
CA555-C6EJF1	41.40	12.70	19.30	3.10	66.00	25.40	5.50	15°
CA555-C6EJF2	41.40	12.70	19.30	3.10	60.50	19.00	7.00	15°
CA555F3-C6EJ	41.40	12.70	19.30	3.15	66.00	25.40	7.30	15°
CA620F3-C6EJ	42.01	24.51	20.20	3.25/3.10	66.00	24.00	6.00	15°
CA620F7-C6EJ	42.01	25.00	20.20	3.10	66.00	24.00	6.00	15°

农机链附件

agricultural chain attachments



A型/CA型型钢制农机链附件 C type and CA type steel agricultural chain attachments

华宇链号 Huayu Chain No.	P mm	b1 mm	h2 mm	d4 mm	T mm	B mm	C mm	α
CA627-CPEF5	30	19.05	20.5	6.30×6.30	3	30	62.5	22.5°
CA627-CPEF13	30	19.05	20.5	6.60×6.60	3	30	63.5	22.5°
CA627-CPEF16	30	19.6	20.5	6.5	3	30	62.5	22.5°
CA627-CPEF18	30	19.05	20.5	6.5	3	30	62.5	22.5°
CA2060H-7AUE	38.1	12.57	18	8.5	3.25	30	57.2	22.5°
CA2060H-CPEF2	38.1	12.57	18	-	3.25	-	57	22.0°
CA2060H-CPEF3	38.1	12.57	18	6.75	3.25	25.4	57	22.0°
CA414-CPEF1	41.4	15.88	20.1	-	3	-	66	20.0°
CA550-CPEF1	41.4	19.81	19.3	-	2.8	-	63.5	15.0°
CA550-CPEF4	41.4	19.81	19.3	-	2.8	-	75.8	20.0°
CA550-CPEF5	41.4	19.81	19.3	-	2.8	-	60	10.0°