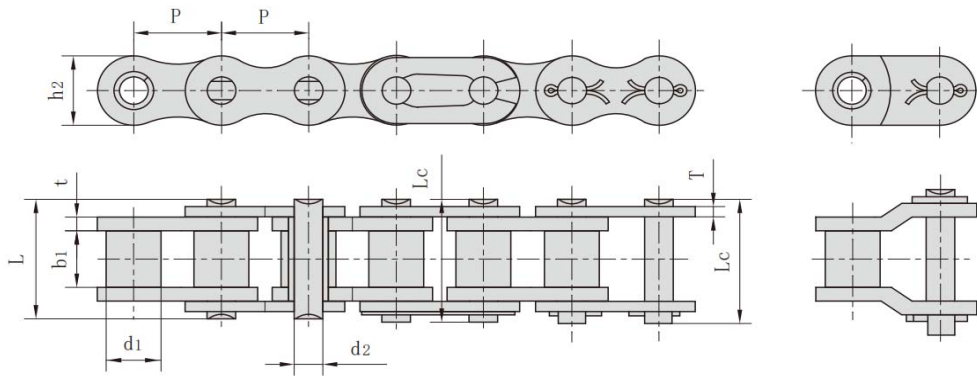


B系列短节距精密滚子链

Short pitch precision roller chains (B series)



单排滚子链 Simplex roller chains

ANSI 链号	节距	滚子直径	内节内宽	销轴直径	链板厚度	内链板高度	销轴长度		抗拉强度	每米长重
ANSI Chain	Pitch	Roller diameter	Width between inner	Pin diameter	Plate thickness	Inner plate depth	Pin length		Ultimate tensile strength	Weight per meter
	P mm	d1 mm	b1 mm	d2 mm	t/T mm	h2 mm	L mm	Lc mm	U.T. S. (kN)	Wt. (kg/m)
04B-1	6.00	4.00	2.80	1.85	0.60	5.00	6.80	7.80	3.00	0.11
05B-1	8.000	5.00	3.00	2.31	0.80	7.10	8.20	8.90	5.00	0.20
*06B-1	9.53	6.35	5.72	3.28	1.30	8.20	13.15	14.10	9.00	0.41
08B-1	12.700	8.51	7.75	4.45	1.60	11.80	16.70	18.20	18.00	0.69
10B-1	15.88	10.16	9.65	5.08	1.70	14.70	19.50	20.90	22.40	0.93
12B-1	19.05	12.07	11.68	5.72	1.85	16.00	22.50	24.20	29.00	1.15
16B-1	25.40	15.88	17.02	8.28	4.15/3.10	21.00	36.10	37.40	60.00	2.71
20B-1	31.75	19.05	19.56	10.19	4.50/3.50	26.40	41.30	45.00	95.00	3.70
24B-1	38.10	25.40	25.40	14.63	6.00/4.80	33.20	53.40	57.80	160.00	7.10
28B-1	44.45	27.94	30.99	15.90	7.50/6.00	36.70	65.10	69.50	200.00	8.50
32B-1	50.80	29.21	30.99	17.81	7.00/6.00	42.00	66.00	71.00	250.00	10.25
40B-1	63.50	39.37	38.10	22.89	8.50/8.00	52.96	82.20	89.20	355.00	16.35
48B-1	76.20	48.26	45.72	29.24	12.00/10.00	63.80	99.10	107.00	560.00	25.00
56B-1	88.90	53.98	53.34	34.32	13.50/12.00	77.80	114.60	123.00	850.00	35.78
64B-1	101.60	63.50	60.96	39.40	15.00/13.00	90.17	130.00	138.50	112.00	46.00
72B-1	114.30	72.39	68.58	44.48	17.00/15.00	103.60	147.40	156.40	1400.00	60.80

*直板链
*Straight side plates