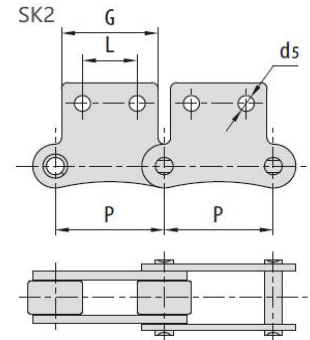
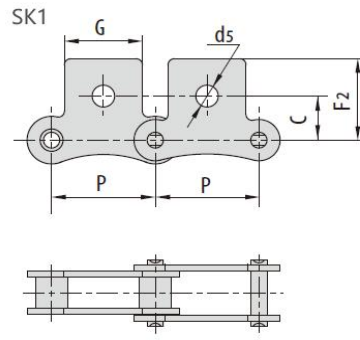
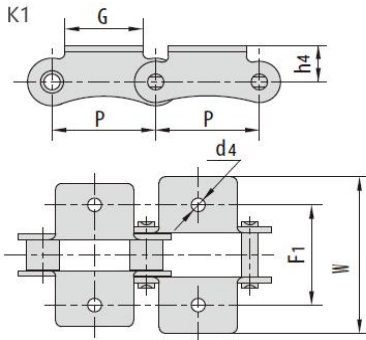


双节距输送链附件

Double pitch conveyor chain attachment



双节距输送链附件 Double pitch conveyor chain attachments

DIN/ISO 链号	ANSI 链号	P	G	F1	W	h4	d4	C	F2	d5
DIN/ISO Chain No.	ANSI Chain No.	mm	mm	mm	mm	mm	mm	mm	mm	mm
208A	2040	25.40	19.1	25.4	39.6	9.1	3.4	11.1	20.5	5.5
210A	2050	31.75	23.80	31.80	49.00	11.10	5.50	14.30	25.00	6.60
212A	2060	38.10	28.60	42.90	67.80	14.70	5.50	17.50	32.90	9.20
216A	2080	50.80	38.10	55.60	87.80	19.10	6.80	22.20	43.50	11.00
220A	2100	63.50	47.60	66.60	107.50	23.40	9.20	28.60	50.40	13.00
224A	2120	76.20	57.20	79.30	121.40	27.80	10.50	33.30	55.50	15.00
208B		25.40	23.20	25.40	39.60	9.10	4.50	11.10	20.50	5.50
210B		31.75	23.80	31.80	49.00	11.10	5.50			
212B		38.10	35.00	38.10	57.00	14.70	6.60			
216B		50.80	44.00	50.80	84.00	19.10	6.60			
220B		63.50	52.00	63.50	104.00	23.40	8.40			
224B		76.20	60.00	76.20	120.00	27.80	10.50			