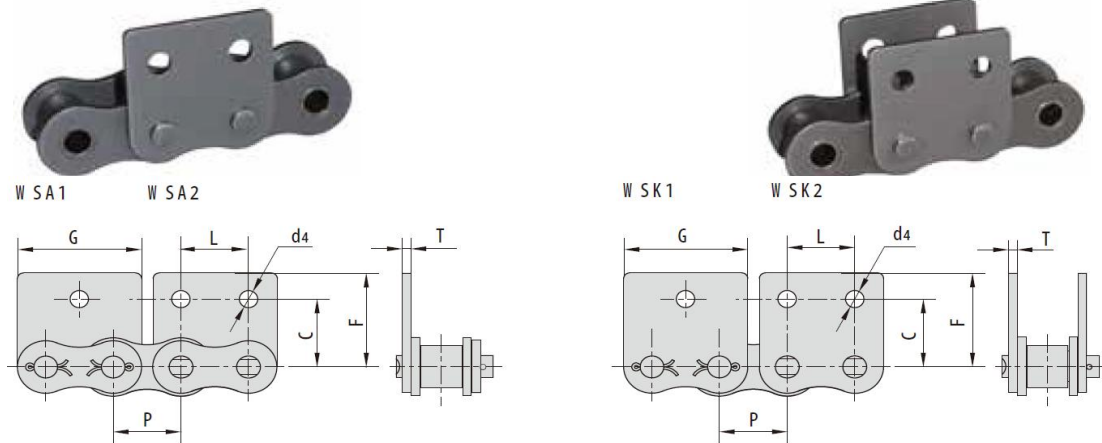


短节距输送链附件

Short pitch conveyor chain attachments



WSA1/WSA2/WSK1/WSK2附件 WSA1/WSA2/WSK1/WSK2 attachments

HUAYU 链号	ISO/DIN 链号	P	G	C	F	T	d4
HUAYU Chain	ISO/DIN Chain	mm	mm	mm	mm	mm	mm
25	04C	6.35	11.41	7.95	11.7	0.8	3.4
35	06C	9.53	17.32	9.50	14.55	1.30	2.80
40	08A	12.70	23.00	12.70	17.40	1.50	3.40
41	85	12.70	21.20	11.85	16.55	1.30	3.60
50	10A	15.875	28.80	15.90	23.05	2.03	5.50
60	12A	19.05	34.65	18.30	26.86	2.42	5.50
80	16A	25.40	45.90	24.60	35.45	3.25	6.80
100	20A	31.75	57.65	31.80	44.00	4.00	9.20
120	24A	38.10	69.30	36.50	51.60	4.80	9.80
140	28A	44.45	80.45	44.50	62.00	5.60	11.40
160	32A	50.80	92.00	50.80	69.85	6.40	13.10
200	40A	63.50	115.50	63.50	88.90	8.00	16.30
*06B	*06B	9.53	17.72	9.52	13.50	1.30	3.50
08B	08B	12.70	23.30	13.35	18.90	1.60	4.30
10B	10B	15.875	29.58	16.50	22.95	1.70	5.30
12B	12B	19.05	34.05	21.45	28.60	1.85	6.40
16B	16B	25.40	46.40	23.15	34.00	3.10	6.40
20B	20B	31.75	58.10	30.50	45.70	3.50	9.00
24B	24B	38.10	71.30	42.70	61.50	4.80	10.50

*直链板

*Straight side plates