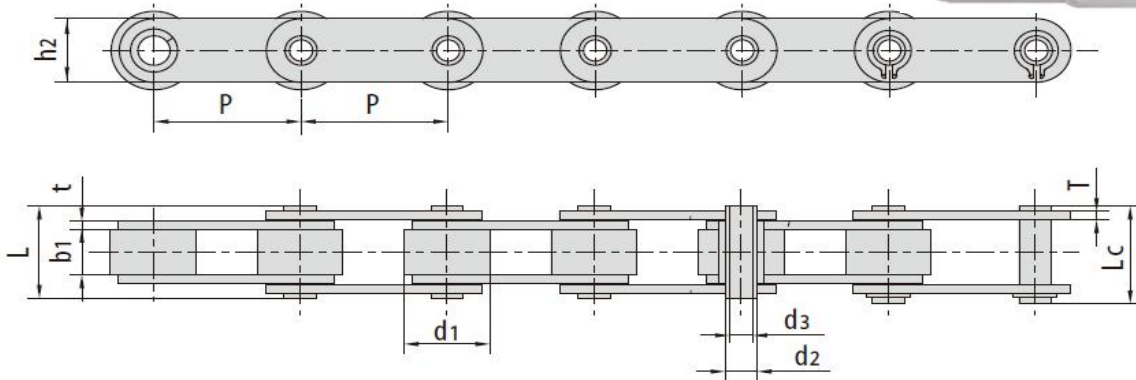


空心销轴输送链

Hollow pin conveyor chains



华宇链号	节距	滚子直径	内节内宽	销轴直径		链板厚度	内链板高度	销轴长度		抗拉强度	每米长重
HUAYU Chain No.	Pitch	Roller diameter	Width between inner plates	Pin diameter		Plate thickness	Inner plate depth	Pin length		Ultimate tensile strength	Weight per meter
	P mm	d1 mm	b1 mm	d2 mm	d3 mm	t/T max mm	h2 mm	L mm	Lc mm	U.T. S. (kN)	Wt. (kg/m)
HB50	50.00	31.00	15.00	14.00	10.20	4.00	25.00	36.00	37.50	40.00	3.98
HB50F9	50.00	18.00	11.50	8.20	6.00	3.00	25.00	27.40	28.40	15.00	2.00
HB50F12	50.00	25.00	11.60	9.00	6.20	2.50	20.00	26.00	27.40	20.00	1.77
HB50.42	50.42	37.30	15.00	14.00	10.20	4.00	26.20	36.00	37.50	40.00	4.46
HB50.8F3	50.80	30.00	16.00	14.00	9.00	3.10	25.50	36.40	37.50	42.00	3.20
HB50.8F8	50.80	32.00	20.00	19.10	12.40	5.00/4.00	40.00	44.60	46.40	100.00	6.75
HB50.8F9	50.80	35.00	12.00	15.50	10.20	5.00	30.00	36.00	37.30	70.00	4.92
HB50.8F11	50.80	38.10	16.00	13.80	9.70	3.90	25.40	37.20	39.50	57.00	5.01
HB50.8F12	50.80	28.58	16.00	14.00	9.00	3.50	25.50	36.40	37.50	42.00	3.26
HB50.8F18	50.80	38.10	16.00	13.80	9.70	4.80/3.90	25.40	37.20	39.50	57.00	4.85
HB50.8F20	50.80	38.10	15.20	14.28	9.50	4.00	26.40	36.60	37.20	40.00	4.88
HB50.8F26	50.80	30.00	16.00	14.00	9.00	4.00	27.00	38.40	39.50	60.00	3.98
HB55F2	55.00	20.00	14.00	9.00	6.00	2.50	20.00	29.00	31.0	18.00	1.54
HB57	57.00	30.00	10.00	13.00	10.20	3.00	26.00	26.40	27.5	28.00	1.84
HB63F11	63.00	40.00	20.00	20.00	18.00	4.00	42.00	42.50	43.5	46.00	5.83
HB63F12	63.00	30.00	10.00	11.40	8.10	3.10	26.50	26.70	28.1	50.00	2.39
HB63.5F1	63.50	32.00	15.00	16.00	12.20	3.00	25.00	32.00	33.0	20.40	2.69
HB65	65.00	45.00	20.00	25.00	18.00	3.00	40.00	38.00	40.0	46.00	4.49
HB65F1	65.00	40.00	20.00	14.00	10.05	4.00	35.00	40.40	42.0	50.00	5.93
HB75	75.00	40.00	22.00	18.00	12.20	4.00	35.00	42.00	44.0	60.00	5.57
HB76.2	76.20	31.75	15.50	12.70	9.50	4.00	26.00	35.50	37.0	42.00	3.25
HB76.2F2	76.20	47.60	20.00	24.00	18.50	5.00/4.00	40.00	44.50	46.1	79.00	6.77
HB76.2F6	76.20	44.45	23.00	17.48	13.49	4.00	35.00	44.20	46.5	75.00	6.27
HB76.2F9	76.20	47.60	17.50	22.00	16.60	6.00	38.00	46.00	47.6	56.00	7.52
HB80	80.00	50.00	20.00	24.00	18.50	5.00/4.00	40.00	44.50	46.1	79.00	6.81
HB80F4	80.00	50.00	20.00	24.00	18.50	6.00	40.00	50.50	51.8	120.00	8.10
HB86	86.00	45.00	15.00	19.00	14.50	5.00/4.00	35.00	40.00	41.5	85.00	5.14
HB100F3	100.00	30.00	24.00	15.95	10.30	4.00	35.00	46.00	47.3	75.00	4.04
HB100F6	100.00	60.00	31.00	27.00	19.00	6.00/5.00	50.00	59.00	60.8	150.00	11.50