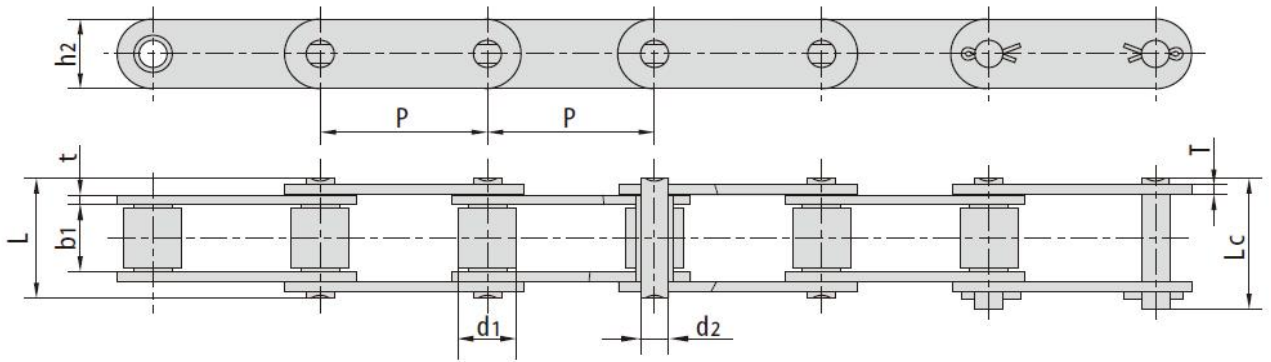


木材输送链
Lumber conveyor chains



木材输送链 Lumber conveyor chains

华宇链号 Huayu Chain No.	节距 Pitch	滚子直径 Roller diameter	内节内宽 Width between inner plates	链板高度 Plate depth	销轴直径 Pin diameter	销轴长度 Pin length		链板厚度 Plate thicknes s	抗拉强度 Tensile strength	平均抗拉 强度 Average tensile strength	每米长重 Weight per meter
	P	d1 max	b1 min	h2 max	d2 max	L max	Lc max	t/T max	Qmin	Q0	q
	mm	mm	mm	mm	mm	mm	mm	mm	kN	kN	kg/m
P42.47F1	42.47	22.20	27.00	28.60	11.10	49.00	53.50	4.0	97	106.7	4.74
500R	50.00	25.40	25.40	40.00	14.63	52.00	56.40	5.0	100	114.5	7.13
500RF1	50.00	25.40	25.40	40.00	14.63	53.40	60.10	5.0	120	132	7.23
81X	66.27	23.00	27.00	28.50	11.10	49.00	53.50	4.0	106.7	128.9	3.78
81XF14	66.27	23.00	27.00	28.70	11.10	50.80	53.80	4.0	85.5	91.4	3.78
81XH	66.27	23.00	27.78	31.35	11.10	60.70	65.10	7.94/5.55	151.9	175.7	5.88
81XHE	66.27	22.20	27.00	28.50	11.10	59.50	63.00	6.3	83.3	89.1	5.09
81XHH	66.27	23.00	27.78	31.35	11.10	65.60	70.00	7.9	191.1	212.6	6.7
81XHS	66.27	23.00	27.00	31.80	11.10	63.60	68.00	7.6	152	177.2	6.55
441.100R	100.00	25.40	25.40	40.00	14.63	52.00	56.40	5.0	100	114.5	5.15
P100F271	100.00	25.40	25.40	40.00	14.63	54.00	58.00	5.0	100	110	5.22