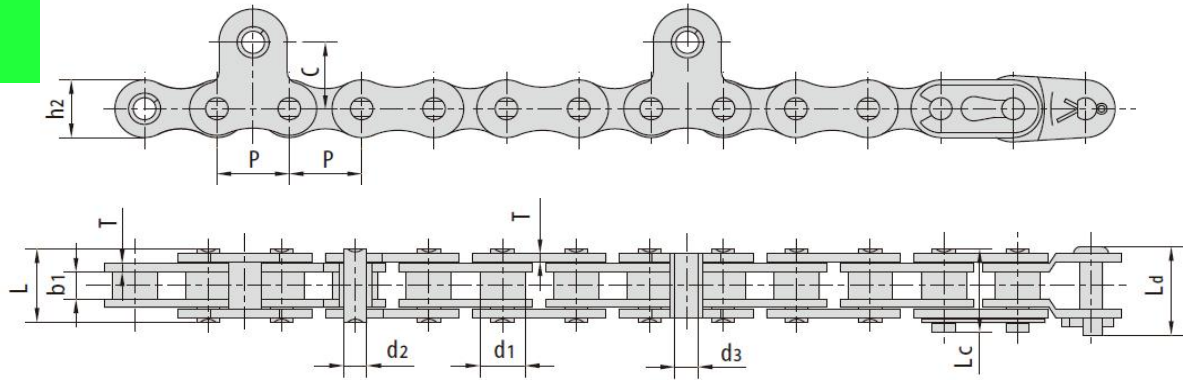


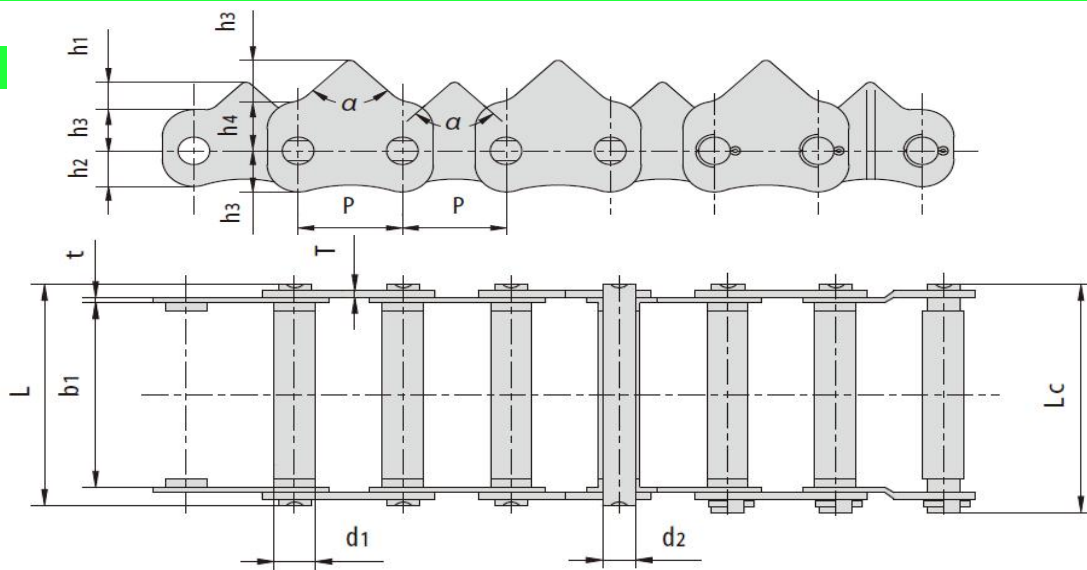
农机链
agricultural chain



提升链 Hoisting chains

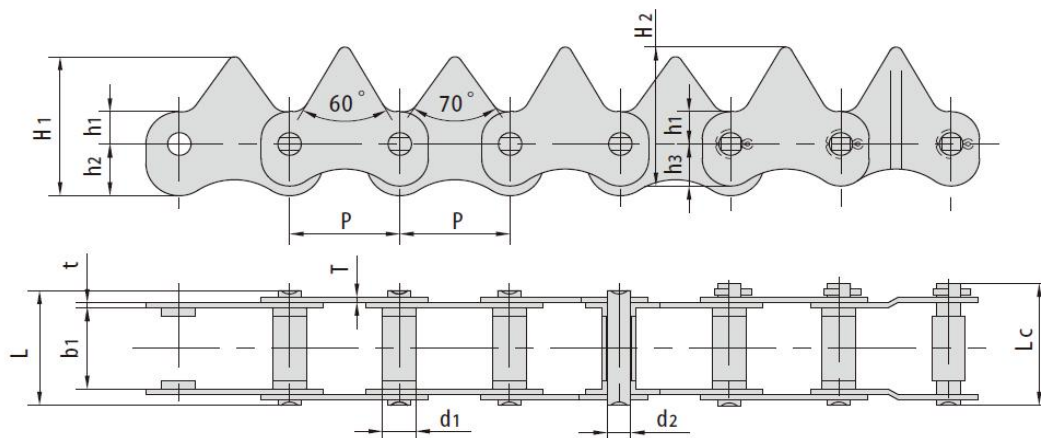
华宇链号 Huayu Chain No.	节距 Pitch	滚子直径 Roller diameter	内节内宽 Width between inner plates	销轴直径 Pin diameter	销轴长度 Pin length			内链板 高度 Inner plate depth	链板厚度 Plate thicknes s	附板尺寸 Attachment dimension		抗拉强度 Tensile strength	平均抗拉 强度 Average tensile strength
	P	d1 max	b1 min	d2 max	L max	Lc max	Ldmax	h2 max	Tmax	d3 nom	C	Qmin	Q0
	mm	mm	mm	mm	mm	mm	mm	mm	mm	mm	mm	kN	kN
415F1	12.70	7.77	4.90	3.64	11.00	12.10	12.95	9.50	1.1	4.02	12	6.86	8.1
415F2	12.70	7.77	4.90	3.64	11.00	12.10	12.95	9.50	1.1	4.02	12	6.86	8.1
415F3	12.70	7.77	4.90	3.64	11.00	12.10	12.95	9.50	1.1	4.02	12	6.86	8.1
415F4	12.70	7.77	4.68	3.62	11.80	-	-	9.60	1.3	4	12	10.3	12.1
415F5	12.70	7.77	4.68	3.63	11.80	13.00	14.00	9.60	1.3	4	12	10.3	12.1
415S	12.70	7.77	4.80	3.96	12.80	14.30	15.70	12.00	1.5	4.02	12	15.69	16.3
415S-A	12.70	7.77	4.90	3.96	12.80	14.30	15.70	12.00	1.5	4.02	12	13.8	16.3
415SF1	12.70	7.77	4.80	3.96	13.00	14.50	-	10.40	1.5	4.5	12	13.93	16.3
415SF4	12.70	7.77	4.80	3.96	13.00	14.50	15.70	12.00	1.5	4	12	13.8	16.3
415SF6	12.70	7.77	4.80	3.96	13.00	14.50	15.70	10.40	1.5	4	12	13.93	16.3
415SF7	12.70	7.77	4.80	4.00	13.00	14.50	15.70	12.00	1.5	4.5	12	15.69	16.3
415SF10	12.70	7.77	4.80	4.00	13.00	14.50	-	12.00	1.5	4.5	12	13.93	16.3
415SF16	12.70	7.77	4.80	3.60	11.00	12.10	13.00	12.00	1.1	4	12	6.86	8.1
420JF1	12.70	7.77	6.25	3.96	14.70	16.10	18.50	12.00	1.5	4	12	16	18.8

农机链 agricultural chain



拔禾输送链 Plucking conveyor chain

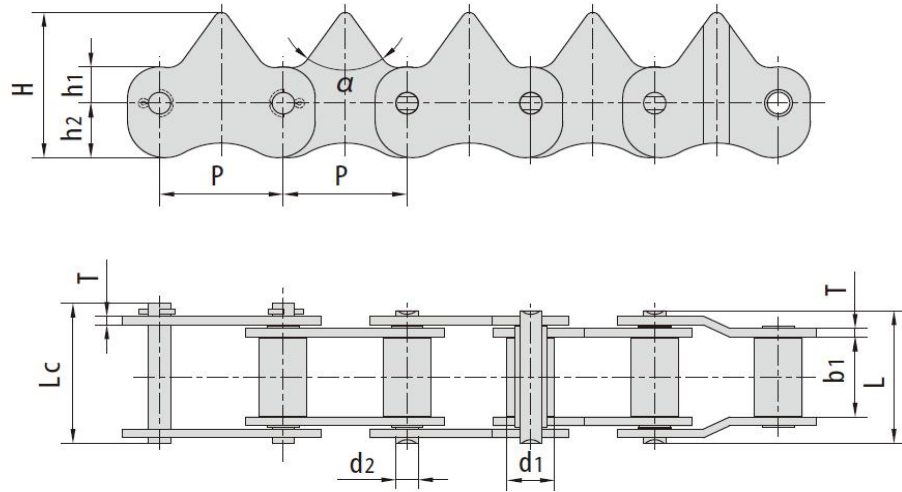
华宇链号 Huayu Chain No.	节距 Pitch	滚子直径 Roller diameter	内节内宽 Width between inner plates	销轴直径 Pin diameter	销轴长度 Pin length		齿形角 Tooth angle	链板尺寸 Plate dimension				链板厚度 Plate thickness	抗拉强度 Tensile strength
	P	d 1 max	b1 min	d2 max	L max	Lc max	α	h 1	h2	h 3	h 4	t/ T max	Q min
	mm	mm	mm	mm	mm	mm		mm	mm	mm	mm	mm	kN
3558T-48001	35.00	10.10	58.00	7.00	69.4	72.0	90°	10	13	15	18	1.60/2.03	19.6
3558T-48001F1	35.00	12.60	58.00	10.00	69.4	71.2	90°	10	13	15	18	1.60/2.03	19.6
3558T-48001F2	35.00	10.50	58.00	7.00	69.4	72.0	90°	10	13	15	18	1.6	19.6
3558T-48002	35.00	12.80	58.00	7.00	69.4	72.0	90°	10	13	15	18	1.60/2.03	19.6



拔禾输送链 Plucking conveyor chain

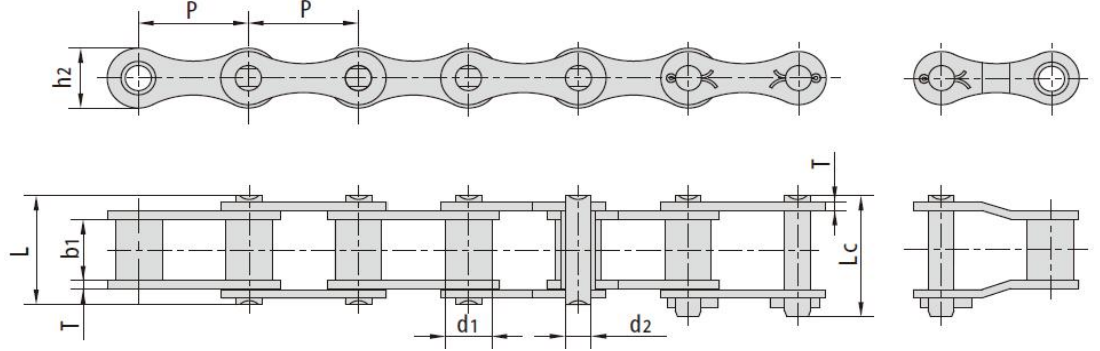
华宇链号 Huayu Chain No.	节距 Pitch	滚子直径 Roller diameter	内节内宽 Width between inner plates	销轴直径 Pin diameter	销轴长度 Pin length		链板尺寸 Plate dimension					链板厚度 Plate thickness	抗拉强度 Tensile strength
	P	d 1 max	b1 min	d2 max	L max	Lc max	h 1	h2	H1	h3	H2	t/ T max	Q min
	mm	mm	mm	mm	mm	mm		mm	mm	mm	mm	mm	kN
3322T-63203	33.00	10.10	22.00	7.00	33.0	35.7	10	16	36	13	43	1.60/2.0	23.0
3330T-66103	33.00	10.10	30.00	7.00	40.9	43.7	10	16	36	13	43	1.60/2.0	23.0

农机链
agricultural chain



华宇链号 Huayu Chain No.	节距 Pitch	滚子直径 Roller diameter	内节内宽 Width between inner plates	销轴直径 Pin diameter	销轴长度 Pin length		齿形角 Tooth angle	链板尺寸 Plate dimension			链板厚度 Plate thickne ss	抗拉强度 Tensile strength	平均抗拉 强度 Average tensile strength
	P	d1 max	b 1 min	d 2 max	L max	Lc max	α	h 1	h 2	H	T	Q min	Q0
	mm	mm	mm	mm	mm	mm		mm	mm	mm	mm	kN	kN
3322-63201	33.00	12.70	22.00	5.94	36.4	38.4	70°	10	15	40	2.42	19.6	22.5
3325-23160	33.00	12.80	25.00	7.00	35.9	38.7	60°	10	13	43	1.6	21.6	24.5
3325-23550	33.00	12.80	25.00	7.00	35.9	38.7	90°	10	13	38	1.6	21.6	24.5
3325-49200	33	12.8	25	7	35.9	38.7	70°	10	13	38	1.6	21.6	24.5
3325-9059	33	12.7	25	5.94	39.4	42.6	90°	10	13	38	2.42	19.61	22.5
3325-9059F1	33	10.5	25	5.94	39.4	42.6	90°	10	13	38	2.42	19.61	22.5
3330-27150	33	12.8	30	7	40.9	43.7	70°	10	13	38	1.6	21.6	24.5
3330-28361	33	12.8	30	7	40.9	43.7	60°	10	13	43	1.6	21.6	24.5
3330-3852	33	12.7	30	5.94	44.4	47.6	90°	10	13	38	2.42	19.61	22.5
3330-66402F1	33	12.7	30	5.94	44.4	47.6	60°	10	13	43	2.42	19.61	22.5
3330-66402F2	33	10.5	30	5.94	44.4	47.6	60°	10	13	43	2.42	19.61	22.5
3330-74311	33	12.7	30	5.94	44.4	47.6	70°	10	13	38	2.42	19.61	22.5
3330-74311F1	33	10.5	30	5.94	44.4	47.6	70°	10	13	38	2.42	19.61	22.5

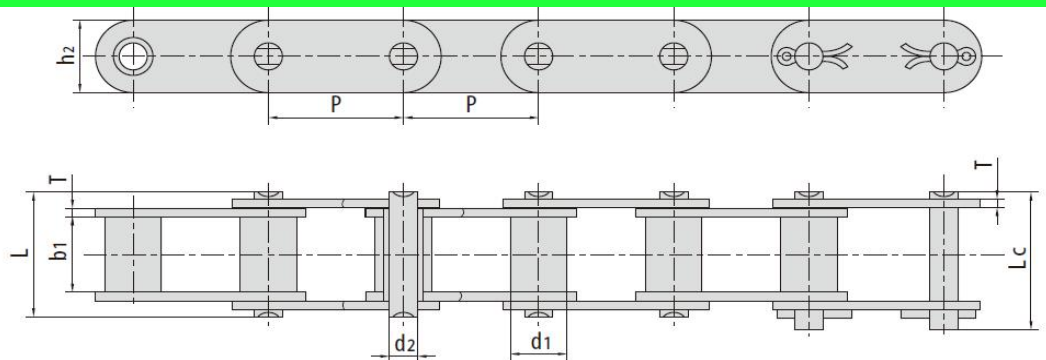
农机链
agricultural chain



ZGS38联合收割机链及配件 ZGS38 combine chain with attachments

华宇链号 Huayu Chain No.	节距 Pitch	滚子直径 Roler diameter	内节内宽 Width between inner plates	销轴直径 Pin diameter	销轴长度 Pin length		内链板高 度 Inner plate depth	链板厚度 Plate thickness	抗拉强度 Tensile strength	平均抗拉 强度 Average tensile strength	每米长重 Weight per meter
	P	d max	b1 min	d2 max	L max	Lc max	h2 max	T max	Q min	Q 0	q
	mm	mm	mm	mm	mm	mm	mm	mm	kN	kN	kg/m
ZGS38	38.0	16.00	22.0	9.00	39.0	43.0	21.5	3.0	45	54.0	2.00
ZGS38HF7	38.0	16.00	22.0	9.00	47.0	51.0	21.5	5.0	80	88.0	2.74
ZGS38F42	38.00	16.00	22.0	9.00	43.2	46.5	21.5	4.0	45	54.0	2.43

农机链
agricultural chain



CZGS38联合收割机链及配件 CZGS38 combine chain with attachments

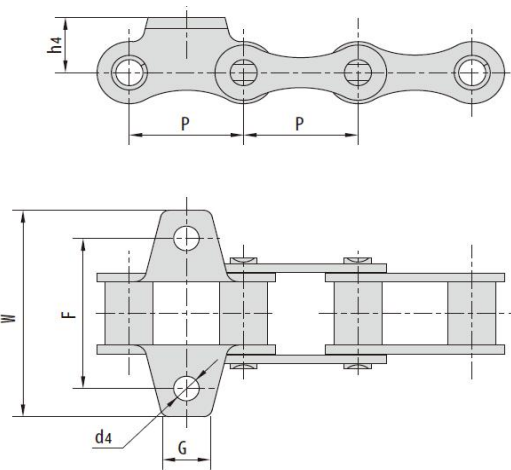
华宇链号 Huayu Chain No.	节距 Pitch	滚子直径 Roler diameter	内节内宽 Width between inner plates	销轴直径 Pin diameter	销轴长度 Pin length		内链板高 度 Inner plate depth	链板厚度 Plate thickness	抗拉强度 Tensile strength	平均抗拉 强度 Average tensile strength	每米长重 Weight per meter
	P	d max	b1 min	d2 max	L max	Lc max	h2 max	T max	Q min	Q 0	q
	mm	mm	mm	mm	mm	mm	mm	mm	kN	kN	kg/m
CZGS38F10	38.00	15.88	22.00	7.92	39.0	43.0	21.30	3.0	45	54	2.39
CZGS38F11	38.00	15.88	22.00	7.92	37.1	41.0	21.20	2.5	30	33	2.1
CZGS38HF12	38.00	15.88	22.00	7.92	39.9	42.7	21.20	3.2	45	54	2.42
CZGS38F13	38.00	16.00	22.00	9.00	39.0	43.0	21.50	3.0	45	54	2.42
CZGS38HF36	38.00	15.88	22.00	7.92	40.5	44.0	21.30	3.5	50	55	2.63

农机链附件

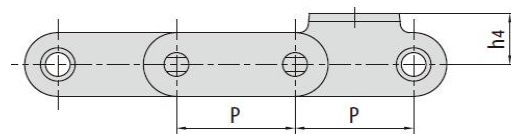
agricultural chain attachments

ZGS38联合收割机链及附件 ZGS38 combine chain with attachments

华宇链号 Huayu Chain No.	P	G	F	W	h4	d4
	mm	mm	mm	mm	mm	mm
ZGS38F2	38	16.0	52.0	71.5	19.6	11.0
ZGS38F6K1	38	16.0	52.0	74.6	19.6	8.5
ZGS38F10K1	38	20.0	52.0	72.0	17.0	8.4
ZGS38F13K1F1	38	20.0	52.0	80.0	17.0	8.6
ZGS38HF12K1F1	38	25.0	52.0	72.0	17.0	8.4
ZGS38F18	38	16.0	52.0	69.6	19.6	8.5
ZGS38F42K1	38	16.0	52.0	74.6	19.6	8.5
ZGS38F43K1	38	16.0	52.0	74.6	19.6	11.0
ZGS38F46	38	16.0	52.0	74.6	20.0	8.5

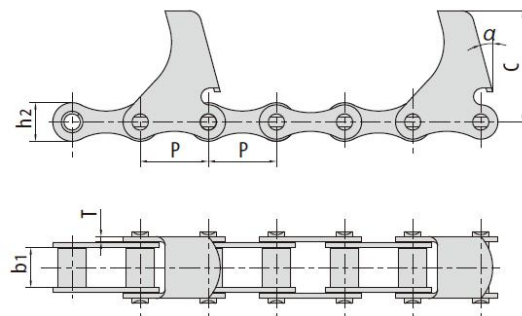


华宇链号 Huayu Chain No.	P	G	F	W	h4	d4
	mm	mm	mm	mm	mm	mm
CZGS38F10K1	38	20.0	52.0	72.0	17.0	8.4
CZGS38F13K1F1	38	26.5	52.0	80.0	17.0	8.6



*G F W d4同上 (ditto)

华宇链号 Huayu Chain No.	P	b1	h2	T	C	α
	mm	mm	mm	mm	mm	
ZGS38-C6E	38	22.0	21.5	3.0	62.0	15°
ZGS38-C6EF1	38	22.0	21.5	3.0	72.0	10°
ZGS38-C6EF2	38	22.0	21.5	3.0	84.0	15°
ZGS38-C6EF3	38	22.0	21.5	3.0	53.0	13°
ZGS38-C6EF4	38	22.0	21.5	3.0	55.0	13°
ZGS38-CPEF6	38	22.0	21.5	3.0	75.0	15°



华宇链号 Huayu Chain No.	P	C	F	W	d4	α
	mm	mm	mm	mm	mm	
ZGS38F3	38	30.0	52.0	68.4	6.5	43.5°
ZGS38SDF1	38	30.0	52.0	68.4	8.5	43.5°
ZGS38SDF5	38	30.0	52.0	68.0	8.6	40.5°
ZGS38SDF6	38	30.0	52.0	68.0	8.5	40.5°
ZGS38F32SD	38	30.0	52.0	68.4	6.5	43.5°

