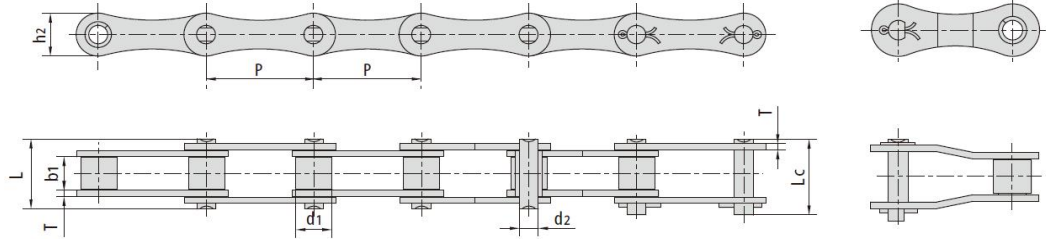


## 农机链

### Agricultural chains

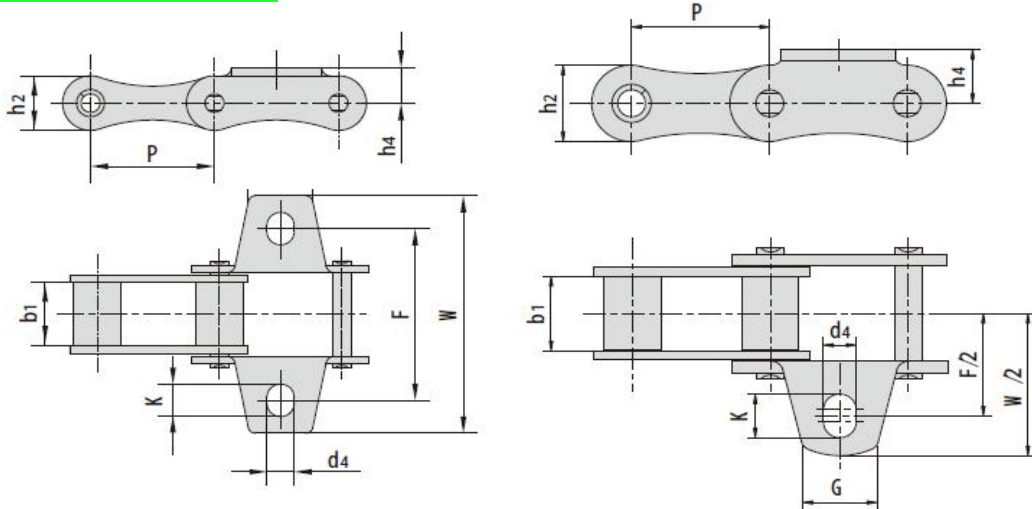


### S型钢制农机链 S type steel agricultural chains

华宇链号 Huayu Chain No.	节距 Pitch	滚子直径 Roller diameter	内节内宽 Width between inner plates	销轴直径 Pin diameter	销轴长度 Pin length		内链板 高度 Inner plate depth	链板厚度 Plate thickness	抗拉强度 Tensile strength	平均抗拉 强度 Average tensile strength	每米长重 Weight per meter
	P	d <sub>1</sub> max	b <sub>1</sub> min	d <sub>2</sub> max	L max	Lc max	h <sub>2</sub> max	t/T max	Q min	Q <sub>0</sub>	q
	mm	mm	mm	mm	mm	mm	mm	mm	kN	kN	kg/m
55V	41.40	17.90	22.23	8.22	39.3	42.4	20.0	3.0	42	45.0	2.22
55VF1	41.40	17.90	22.23	8.22	39.3	42.4	21.4	3.0	45	73.1	2.32
S32	29.21	11.43	15.88	4.45	26.7	28.8	13.2	1.8	8	21.6	0.86
S32V	29.21	11.43	15.88	5.08	27.3	29.7	13.5	2.1	25	27.0	0.96
S42	34.93	14.27	19.05	7.00	34.3	37.0	19.8	2.8	27	50.8	1.60
S42F2	34.93	14.27	19.05	7.00	34.3	37.0	19.8	2.5/3.0	27	50.8	1.82
S45	41.40	15.24	22.23	5.72	37.7	40.4	17.3	2.8	18	36.1	1.66
S45H	41.40	15.24	22.23	7.14	39.5	42.5	17.3	3.0	37.65	41.4	2.10
S51	38.10	15.24	16.00	5.72	30.9	33.8	17.3	2.8	28	30.8	1.48
S52	38.10	15.24	22.23	5.72	37.7	40.4	17.3	2.8	18	36.1	1.68
S52F10	38.10	14.00	22.00	6.92	36.5	39.1	18.2	2.5	23.5	28.2	1.60
S52L	38.10	15.24	16.40	5.72	30.9	33.8	16.5	2.5	29.2	32.2	1.36
S52LV	38.10	15.88	17.80	6.94	33.8	37.0	16.7	3.0	30	32.5	1.58
S55	41.40	17.78	22.23	5.72	37.7	40.4	17.3	2.8	18	36.1	1.80
S55R	41.40	17.78	22.23	8.90	41.0	44.0	22.4	3.5	45	73.1	2.49
S55RH	41.40	17.78	22.23	8.90	43.2	46.4	22.4	4.0	65	84.5	2.74
S55RHF1	41.40	25.00	22.23	8.90	43.2	46.4	22.4	4.0	65	84.5	2.74
S62	41.91	19.05	26.20	5.72	40.3	43.0	17.3	2.5	26.7	36.1	1.87
S62F10	41.91	19.05	25.40	5.72	39.4	42.2	17.3	2.5	26.7	36.1	2.04
S62F5	41.91	19.05	26.20	5.72	40.3	43.0	16.7	2.5	26.7	36.1	2.07
S62F8	41.91	19.05	27.90	10.00	44.9	49.3	25.0	3.0	45	60.0	2.96
S62R	41.91	19.05	25.80	8.50	41.9	44.6	20.1	2.8	42	45.0	2.43
S77	58.34	18.26	22.23	8.90	43.2	46.4	26.2	4.0	45	73.1	2.66
S88	66.27	22.86	28.58	8.90	49.8	53.0	26.2	4.0	45	73.1	3.25

农机链附板

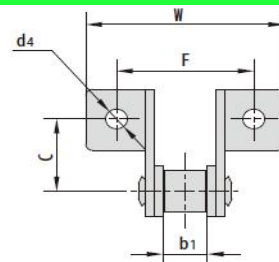
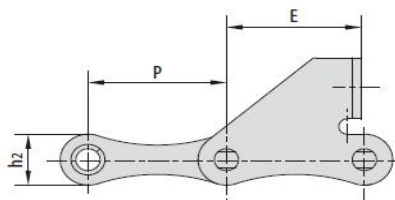
agricultural chain attachments



S型钢制农机链附件 S type steel agricultural chain attachments

华宇链号 Huayu Chain No.	P	b1	G	F	W	h4	d4	K	h2
	mm	mm	mm	mm	mm	mm	mm	mm	mm
S32K1	29.21	15.88	15	42.9	61	8.6	5.3	6.9	13.2
S32K1F1	29.21	15.88	15	42.9	61	8.6	6.5	8.1	13.2
S32K1F3	29.21	15.88	17	42.9	49	8.6	5	6.5	13.2
S32VK1	29.21	15.88	15	43	61	8.6	6.5	8	13.5
S42K1	34.93	19.05	17.5	54	74.9	14	8.3	11.5	19.8
S45K1	41.4	22.23	22	54	75	11.4	8.5	11.7	17.3
S51K1	38.1	16	19	49.8	71.5	11.4	8.3	9.9	17.3
S52K1	38.1	22.23	19	58.8	78	11.4	8.3	9.9	17.3
S52K1F1	38.1	22.23	19	58.8	78	11.4	6.6	8.2	17.3
S55K1	41.4	22.23	22	54	75	11.4	8.5	11.7	17.3
S55K1F1	41.4	22.23	22	54	75	11.4	6.5	9.5	17.3
S55HK1	41.4	22.23	34	52.7	82	13.4	8.4	11.4	20.4
S55H(T)K1	41.4	22.23	34	51.2	81.4	13.4	8.4	11.4	20.4
S55HF5	41.4	22.23	38	57	95	14	8.5	11.2	22
S55RK1F1	41.4	22.23	25	63.6	90.4	16	8.6	12	22.4
S62K1	41.91	26.2	22	66.8	95.4	11.4	8.3	14.7	17.3
S62A2K1	41.91	26.2	22	66.7	95.5	12.6	8.3	14.7	17.3
S62F2K1	41.91	26.2	22	66.8	95.4	11.4	6.5	13	17.3
S62F5A2K1	41.91	26.2	22	66.7	95.5	12.6	8.3	14.7	16.7
S42F2A1	34.93	19.05	17.5	54	75	14	8.3	11.5	19.8
S62F12K1	41.91	25.4	22	65.9	94.7	12.6	8.3	14.7	16.7

**农机链附板**  
agricultural chain attachments

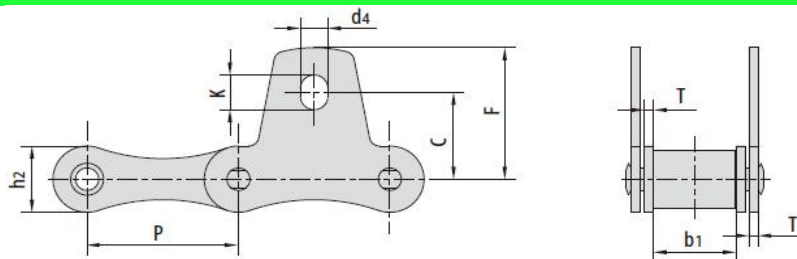


**S型钢制农机链附件 S type steel agricultural chain attachments**

华宇链号 Huayu Chain No.	P	b1	C	E	F	W	d4	h2
	mm	mm	mm	mm	mm	mm	mm	mm
55VSDF1	41.4	22.23	20.5	33.2	62	85.6	6.6	20
55VSDF2	41.4	22.23	20.5	33.2	62	85.6	8.3	20
55VSDF3	41.4	22.23	24	27	58	78	6.5	20
55VSDF4	41.4	22.23	23.4	28.5	57.5	83.4	6.5	20
S32SD	29.21	15.88	20	19.2	58	78	6.4	13.2
S45F1	41.4	22.23	21	25	62.4	83.4	8.5	17.3
S45HF3	41.4	22.23	17.5	33.5	61.3	89.9	8.4	17.3
S45SD	41.4	22.23	17	28.6	58	81.2	8.5	17.3
S45SDF2	41.4	22.23	21	28.5	62.4	83.4	8.5	17.3
S45W-F1	41.4	22.23	20	37	58	87	6.6	17.3
S45W-F4	41.4	22.23	20.5	33.2	58	85.6	6.6	17.3
S51SDF1	38.1	16	19.65	20	56	82	6.4	17.3
S52F12SD	38.1	13	20	30	47.5	83.4	6.4	17.3
S52F4	38.1	15.8	20.6	37	53.8	69.5	6.4	16.7
S52F8	38.1	22.23	20.6	37	60.7	76.4	6.4	17.3
S52F9	38.1	18.5	20	18.5	54.5	71	6.5	16.5
S52LF1SD	38.1	22.02	20	17.5	54.5	71	6.5	16.5
S52LF2SD	38.1	16	20	19	54.6	76.6	6.5	17
S52LSD	38.1	16.4	20	17.5	54.5	71	6.5	16.5
S52LVSD	38.1	17.8	20	19.2	62	85.5	6.4	16.7
S52LVSDF1	38.1	17.8	20	19.2	54.5	71	7	16.7
S52SD	38.1	22.23	20	19.2	62	88.5	6.4	17.3
S52SDF1	38.1	15.8	19.56	20	56	82	6.4	17.3
S52SDF2	38.1	22.2	20.2	37.2	57.6	86.2	6.5	16.4
S55F2	41.4	22.23	20	37	58	87	6.4	17.3
S55F3	41.4	22.23	20.5	33.2	58	85.6	6.6	17.3
S55F4	41.4	22.23	20	37	58	87	6.6	17.3
S55F6	41.4	22.23	20	30	58	87	6.4	17.3
S55F7	41.4	22.23	20.5	33.2	62	85.6	6.6	17.3
S55RSDF1	41.4	22.23	20.5	33.2	62	85.6	6.6	22.4
S55SDF2	41.4	22.23	20	33.4	58	86	6.6	17.3
S55SDF4	41.4	22.23	25	36	58	85	6.5	17.3
S55SDF6	41.4	22.23	20	37	58	87	8.5	17.3
S62SD	41.91	26.2	20	32.6	61.4	92	6.4	17.3

农机链附板

agricultural chain attachments

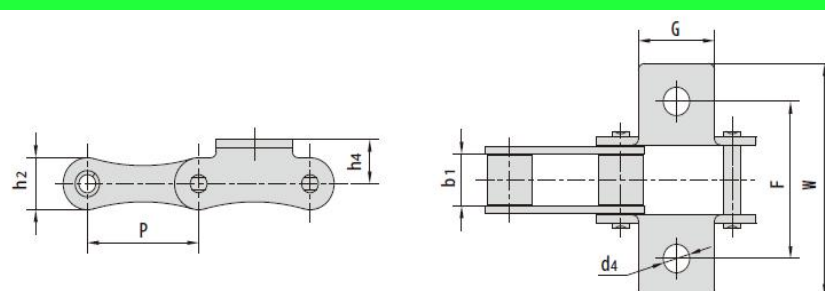


S型钢制农机链附件 S type steel agricultural chain attachments

华宇链号 Huayu chain No.	P	b1	h2	T	C	F	d4	K
	mm	mm	mm	mm	mm	mm	mm	mm
S32SK1	29.21	15.88	13.2	1.8	17.3	26.2	5.3	6.9
S42SK1	34.93	19.05	19.8	2.8	23.6	34.3	8.3	11.5
S42SK1F1	34.93	19.05	19.8	2.8	22.9	33.33	8.3	11.5
S45SK1	41.4	22.23	17.3	2.8	19.8	30.2	8.3	11.5
S52SK1	38.1	22.23	17.3	2.8	22.1	31.8	8.3	9.9
S55SK1	41.4	22.23	17.3	2.8	19.8	30.2	8.3	11.5
S62SK1	41.91	26.2	17.3	2.5	24.6	38.6	8.3	14.7
S77SK1	58.34	22.23	26.2	4	36.3	50	8.3	11.5
S88SK1	66.27	28.58	26.2	4	43.7	55.6	8.3	9.9
S32SK1F1	29.21	15.88	13.2	1.8	16.7	25.68	6.5	8.1
S55RHSK1	41.4	22.23	22.4	4	19.8	30.2	8.3	11.5

农机链附板

agricultural chain attachments

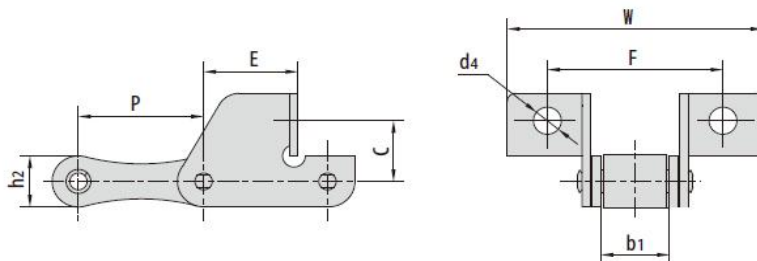


S型钢制农机链附件 S type steel agricultural chain attachments

华宇链号 Huayu Chain No.	P	b1	G	F	W	h4	d4	h2
	mm	mm	mm	mm	mm	mm	mm	mm
S52LK1	38.1	16.4	26	50	74	14	9	16.5
55VK1	41.4	22.23	30	58	76	16	9	20
S42F2K1F1	34.93	19.05	45	54.8	75.2	14	8.3	19.8
S52LF1K1	38.1	16	26	50	74	16	9	16.5
55VDK1	41.4	23	30	58	76	16	9	20

农机链附板

agricultural chain attachments

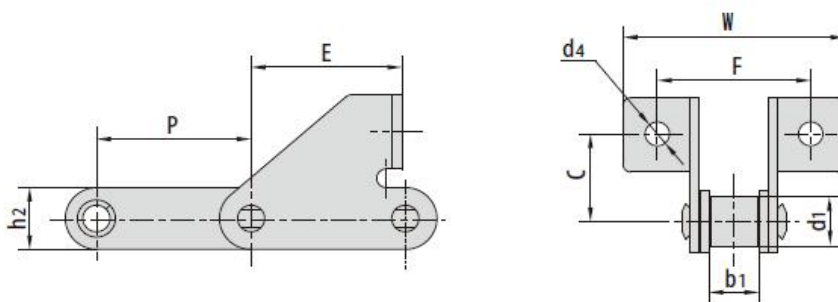


S型钢制农机链附件 S type steel agricultural chain attachments

华宇链号 Huayu chain No.	P	b1	C	E	F	W	d4	h2
	mm	mm	mm	mm	mm	mm	mm	mm
S45HSDF3	41.4	22.23	17.5	31.1	63.5	84	8.3	17.3
S45SDF1	41.4	22.23	17.5	31.9	62	91	8.5	17.3
S45SDF3	41.4	22.23	16.5	31.9	62	91	8.5	17.3
S45V	41.4	22.23	21	28.5	62.4	83.4	8.8	17.3
S55F12SD	41.4	22.23	20	30	61.6	94.7	6.5	17.3
S55HSDF3	41.4	22.23	20.6	32.5	64	91	8.5	20.4
S55SDF1	41.4	22.23	20	31.9	58	89.2	6.5	17.3
S55V	41.4	22.23	21	28.5	57.5	83.4	6.5	17.3

农机链附板

agricultural chain attachments

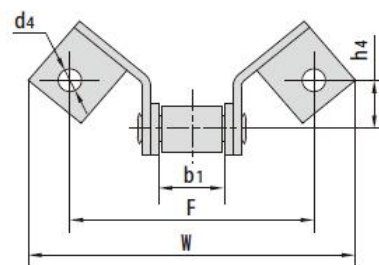
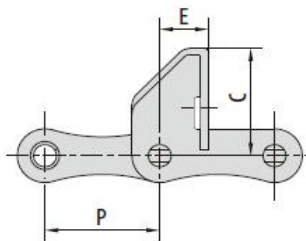


S型钢制农机链附件 S type steel agricultural chain attachments

华宇链号 Huayu Chain No.	P	d1	b1	C	E	F	W	d4	h2
	mm	mm	mm	mm	mm	mm	mm	mm	mm
S52F11SD	38.1	16	17.5	21	23	55	75	8.3	20
S52F3	38.4	15.88	18.5	24	37.4	52	73	8.7	17.5
C45F1SD	41.4	15.24	22.23	19.7	41.7	58	90	6.6	17.3

农机链附板

agricultural chain attachments

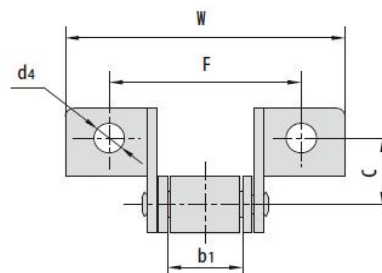
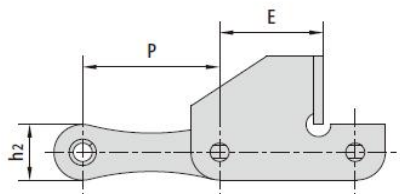


S型钢制农机链附件 S type steel agricultural chain attachments

华宇链号 Huayu chain No.	P	b1	C	E	F	W	h4	d4
	mm	mm	mm	mm	mm	mm	mm	mm
55VSE	41.4	22.23	41	17.5	88	118	18.44	8.4
55VSEL	41.4	22.23	41	31.3	88	118	18.44	8.4
55VSEF1	41.4	22.23	40	25	88	118	18	8.4
CA645SE	41.4	22.23	40	17.5	88	118	18	8.4

农机链附板

agricultural chain attachments



S型钢制农机链附件 S type steel agricultural chain attachments

华宇链号 Huayu Chain No.	P	b1	C	E	F	W	d4	h2
	mm	mm	mm	mm	mm	mm	mm	mm
CA2060F1SD	38.1	12.7	21	29.7	47.6	82.5	6.4	17.3
S55F1	41.4	22.23	19	31.9	62	89.2	8.3	17.3
S55F10SD	41.4	22.23	20	30	57	90.1	6.5	17.3
S55H(T)SDF3	41.4	22.23	20.6	31.6	63.5	90.5	8.5	20.4
S55HSDF1	41.4	22.23	20.6	41.8	64	91	8.4	20.4
S55RHSDF	41.4	22.23	25.4	31.5	71	101	7	22.4
S55RHSDF1	41.4	22.23	25.4	31.5	71	101	8.5	22.4
S55RSD	41.4	22.23	19	31.9	62	89.2	8.3	22.4