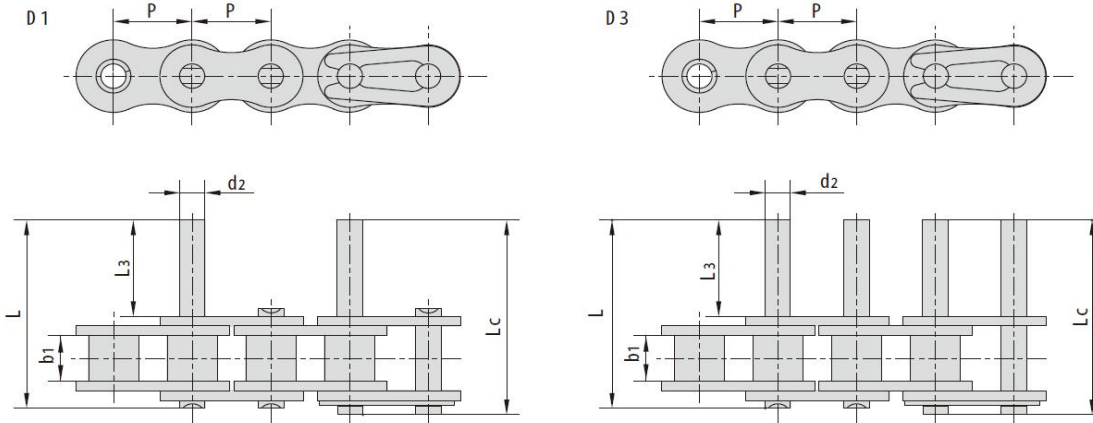
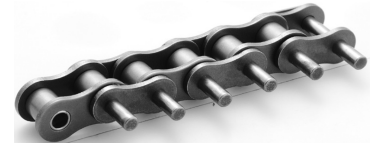


短节距加长销输送链

Short pitch conveyor chains with extended pins



ISO 链号	DIN 链号	P	b1	d2	L2	L	Lc
ISO Chian No.	DIN Chian No.	mm	mm	mm	mm	mm	mm
35	06C	9.525	4.77	3.58	9.5	20.8	21.6
40	08A	12.70	7.85	3.96	9.50	25.10	26.20
50	10A	15.875	9.40	5.08	11.90	31.30	33.10
60	12A	19.05	12.57	5.94	14.30	38.60	40.60
80	16A	25.40	15.75	7.92	19.10	50.30	53.30
100	20A	31.75	18.90	9.53	23.80	61.80	66.10
120	24A	38.10	25.22	11.10	28.60	76.40	80.40
140	28A	44.45	25.22	12.70	33.30	84.80	89.40
160	32A	50.80	31.55	14.27	38.10	99.60	104.40
08B	08B	12.70	7.75	4.45	9.50	25.10	26.60
10B	10B	15.875	9.65	5.08	11.90	30.10	31.50
12B	12B	19.05	11.68	5.72	14.30	35.40	37.10
16B	16B	25.40	17.02	8.28	19.10	53.00	54.30
20B	20B	31.75	19.56	10.19	41.00	79.90	83.60
24B	24B	38.10	25.40	14.63	50.70	101.40	105.80
28B	28B	44.45	30.99	15.90	61.90	124.00	128.40
32B	32B	50.80	30.99	17.81	64.80	126.80	131.80