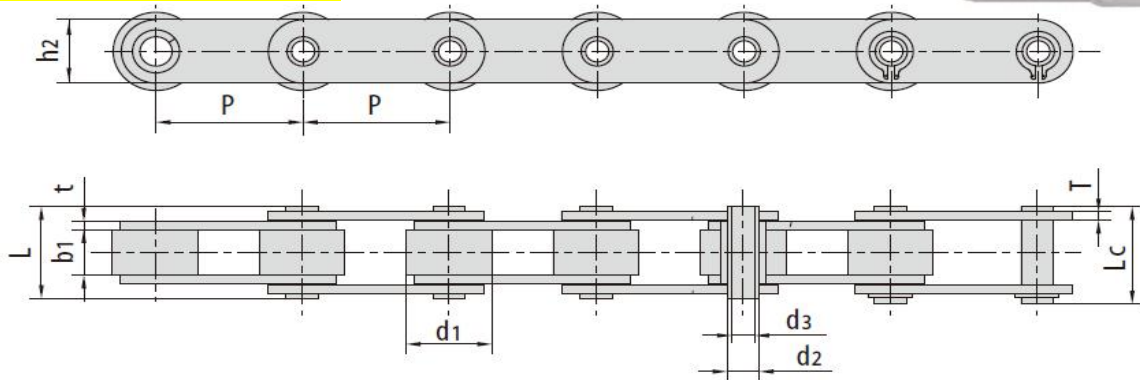


**空心销轴输送链**  
Hollow pin conveyor chains



华宇链号	节距	滚子直径	内节内宽	销轴直径		链板厚度	内链板高度	销轴长度		抗拉强度	每米长重
HUAYU Chian No.	Pitch	Roller diameter	Width between inner plates	Pin diameter		Plate thickness	Inner plate depth	Pin length		Ultimate tensile strength	Weight per meter
	P mm	d1 mm	b1 mm	d2 mm	d3 mm	t/T max mm	h2 mm	L mm	Lc mm	U.T. S. (kN)	Wt. (kg/m)
C12AHB	19.05	11.91	12.70	7.00	5.01	2.42	18.00	25.50	26.60	20.00	1.58
C12BHP	19.05	12.07	11.68	6.50	4.00	1.85	15.90	21.60	22.80	20.00	1.22
C2042HP	25.40	15.88	7.85	5.63	4.00	1.50	12.00	16.50	17.60	11.00	0.78
C2042H-HP	25.40	15.88	7.85	5.63	4.00	2.03	12.00	18.80	19.90	11.00	0.95
C2052HP	31.75	19.05	9.53	7.22	5.12	2.03	15.00	20.50	21.80	20.40	1.25
C2052HPF1	31.75	19.05	9.40	7.03	5.12	1.85	15.30	20.00	21.50	15.00	1.21
C2052HPF3	31.75	19.05	9.53	7.02	5.13	2.03	15.09	20.10	21.60	19.60	1.20
C2052H-HP	31.75	19.05	9.53	7.22	5.12	2.42	15.00	22.10	23.40	20.40	1.44
C2062HP	38.10	22.23	12.70	8.31	6.00	2.42	17.00	25.80	26.80	24.00	1.72
C2062H-HP	38.10	22.23	12.70	8.31	6.00	3.25	17.00	29.20	30.20	24.00	1.99
C2062H-HPF3	38.10	22.23	12.70	8.31	6.00	2.42	17.00	25.80	26.80	24.00	1.72
C2082HP	50.80	28.58	15.75	11.40	8.05	3.25	24.00	32.40	33.80	50.00	2.82
C2082H-HP	50.80	28.58	15.75	11.40	8.05	4.00	24.00	35.70	37.0	50.00	3.34
C1655HP	50.80	30.00	10.50	13.00	8.20	3.10	26.00	27.40	28.9	42.00	2.72
63HPF1	63.00	40.00	15.00	16.00	12.10	4.00	28.50	35.00	36.2	50.00	4.20
C2102HP	63.50	39.67	18.90	13.60	9.50	4.00	30.00	40.30	42.0	60.00	5.13
DH4202HP	50.80	31.80	15.00	14.00	10.10	3.80	26.00	36.30	39.0	42.00	3.75
DH4203HP	76.20	31.80	15.00	14.00	10.10	3.80	26.00	36.30	39.0	42.00	3.01
DH8403HP	76.20	47.60	19.00	19.05	13.60	5.10/3.80	39.00	43.80	46.3	84.30	6.81
DH42035HP	88.90	31.80	15.00	14.00	10.10	3.80	26.00	36.30	39.0	42.00	2.79
DH4204HP	101.60	31.80	15.00	14.00	10.10	3.80	26.00	36.30	39.0	42.00	2.63
DH8404HP	101.60	47.60	19.00	19.05	13.60	5.10/3.80	39.00	43.80	46.3	84.30	5.78
DH8406HP	152.40	47.60	19.00	19.05	13.60	5.10/3.80	39.00	43.80	46.3	84.00	5.18
HB25.4F2	25.40	15.89	17.26	9.00	6.35	2.50	20.00	31.30	32.5	20.00	1.97
HB25.4F4	25.40	20.00	11.00	12.00	8.35	3.00	24.00	27.00	28.4	32.00	2.48
HB38.1F2	38.10	25.40	12.70	9.50	6.60	2.30	19.10	26.60	28.0	20.00	2.07
HB38.1F6-R	38.10	25.40	15.20	14.00	10.20	3.70	27.00	34.50	36.5	45.00	3.20
HB40F1	40.00	22.00	9.00	9.00	6.00	2.50	18.00	23.00	24.5	20.00	1.58
HB41.4	41.40	25.40	15.00	13.80	10.50	4.00	32.00	35.50	37.0	45.00	4.20