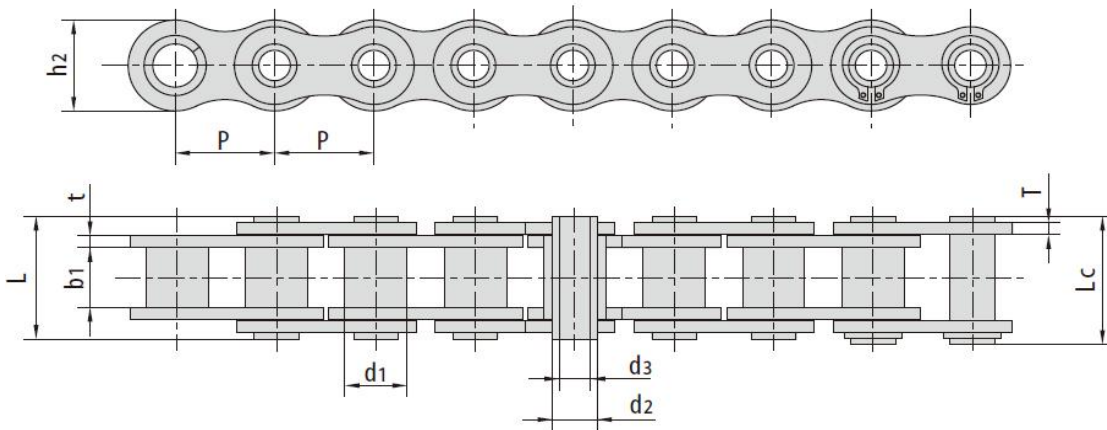


空心销轴输送链

Hollow pin conveyor chains



华宇链号	节距	套筒直径	内节内宽	销轴直径		链板厚度	内链板高度	销轴长度		抗拉强度	每米长重
HUAYU Chian No.	Pitch	Bush diameter	Width between inner plates	Pin diameter		Plate thickness	Inner plate depth	Pin length		Ultimate tensile strength	Weight per meter
	P mm	d1 mm	b1 mm	d2 mm	d3 mm	t/T max mm	h2 mm	L mm	Lc mm	U.T. S. (kN)	Wt. (kg/m)
08BHPF	12.70	8.51	7.75	6.55	4.50	1.60/1.30	11.80	16.40	17.60	12.10	0.56
08BHPF5	12.70	8.51	7.75	6.30	4.50	1.60	12.00	16.80	18.00	10.60	0.62
08BHPF9	12.70	8.51	7.75	6.30	4.50	1.50	12.10	16.50	17.60	11.55	0.58
10BHPF3	15.875	10.16	9.65	7.02	5.13	1.70	14.70	19.50	20.50	11.50	0.86
10BHPF4	15.875	10.16	9.50	7.20	5.00	2.03/1.60	14.00	19.80	21.30	14.00	0.82
12BHPF2	19.05	12.07	11.68	8.09	6.00	1.85	16.10	22.70	23.90	16.00	0.82
12BHPF3	19.05	12.07	11.70	8.22	5.75	2.42/1.85	16.20	23.60	24.90	18.00	1.14
16BHPF3	25.40	15.88	17.02	11.50	8.20	4.00/3.10	23.20	35.30	37.00	52.20	2.26
16BHPF4	25.40	11.70	13.50	8.00	4.30	3.00	21.30	28.90	30.20	33.00	1.81
40HP	12.70	7.95	7.85	5.63	4.00	1.50	12.00	16.50	17.60	12.20	0.54
08BHPF7	12.70	8.51	9.20	6.55	4.10	1.60	11.80	17.80	19.00	12.10	0.64
08BHP	12.70	8.51	7.75	6.55	4.50	1.30	11.80	16.40	17.60	12.10	0.52
50HP	15.875	10.16	9.40	7.03	5.13	2.03	15.09	20.70	21.9	22.60	0.91
50HPF4	15.875	10.16	8.80	7.03	5.13	2.03	15.09	19.90	21.1	19.20	0.89
50H-HP	15.875	10.16	9.40	7.03	5.13	2.42	15.09	22.60	23.7	22.60	1.02
60HP	19.05	11.91	12.70	8.31	6.00	2.42	18.00	25.80	26.8	26.90	1.29
60HPF1	19.05	11.91	12.70	8.31	5.01	2.42	18.00	25.50	26.8	30.90	1.37
80HP	25.40	15.88	15.75	11.40	8.05	3.25	24.00	32.50	33.8	52.00	2.26
80HPF1	25.40	11.70	13.50	7.80	4.00	2.42	21.50	27.00	28.4	29.30	1.50
80HPF2	25.40	15.88	15.75	11.40	8.40	3.25	24.00	32.50	33.8	48.00	2.23
80H-HP	25.40	15.88	15.75	11.40	8.05	4.00	24.00	35.70	37.0	52.00	2.63
80HPF3	25.40	15.88	15.88	11.40	7.96	3.25	23.24	32.40	33.8	52.00	2.26
80HPF4	25.40	11.70	13.50	7.80	4.10	3.00	21.50	29.00	30.5	43.20	1.77
80HPF5	25.40	15.88	15.80	11.40	8.05	3.25/2.42	24.00	31.00	32.5	37.00	2.28
HB38.1F6	38.10	18.00	15.20	14.00	10.20	3.70	27.00	34.50	36.5	48.00	2.46
HB41.3	41.30	10.16	9.65	7.10	5.40	2.03	16.00	20.40	-	14.30	0.67
HB41.75F5	41.75	17.11	19.90	14.11	10.30	4.00	25.26	39.00	40.4	53.90	2.11
A2080HP	50.80	15.88	15.75	11.40	8.05	3.25	24.00	32.40	33.8	46.10	1.60