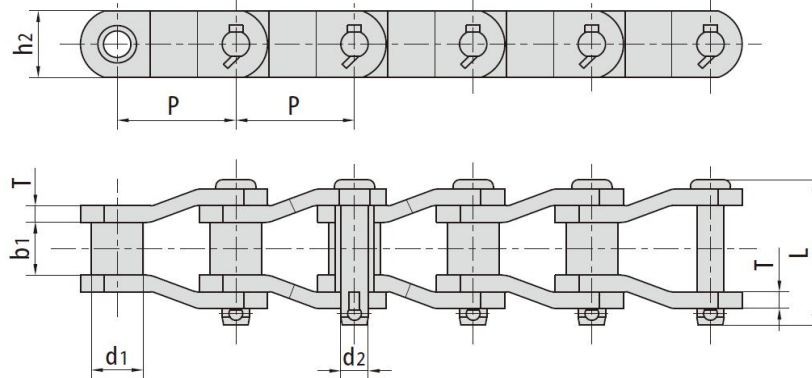


重载传动用弯板链

Heavy duty cranked-link transmission chains



华宇链号	节距	滚子直径	内节内宽	销轴直径	链板厚度	内链板高度	销轴长度	抗拉强度	每米长重
HUAYU Chain No.	Pitch	Roller diameter	Width between inner plates	Pin diameter	Plate thickness	Inner plate depth	Pin length	Ultimate tensile strength	Weight per meter
	P mm	d1 mm	b1 mm	d2 mm	T mm	h2 mm	L mm	U.T. S. (kN)	Wt. (kg/m)
MXS3075	78.10	31.75	38.10	16.46	9.70	44.50	93.50	334.00	13.45
MXS3075F1	78.100	33.00	38.10	16.46	9.70	44.50	94.50	334.00	14.00
MXS3075F1SH	78.10	33.00	38.10	16.46	9.70	44.50	94.50	360.00	13.96
MXS3075F2	78.100	31.75	38.10	17.81	8.00	45.00	90.00	333.20	12.20
MXS3075F3	78.10	33.30	38.10	16.46	9.70	44.50	94.50	334.00	14.00
MXS3075F4	78.10	33.30	38.10	17.15	9.70	44.50	94.50	360.00	14.00
2510F3	78.10	31.75	38.10	16.00	7.90	38.10	87.10	194.00	10.42
2510F5	78.10	31.75	38.10	15.88	7.90	38.10	86.00	194.00	10.37
SS40HF2	78.10	31.75	38.10	16.00	8.00	38.10	87.50	236.00	10.00
SS40H(P)	78.11	31.75	38.10	15.88	9.50	41.50	97.00	250.00	12.60
DHAPI3PF1	78.11	31.75	38.10	16.51	9.52	39.70	94.50	250.00	12.53
MXS3075F6	78.11	31.75	38.10	16.46	9.70	44.50	92.50	250.00	13.60
P78.18F1	78.18	33.00	40.00	17.81	10.00	45.00	102.00	333.20	14.87
3125.00	79.37	41.27	39.70	20.32	9.50	57.20	101.60	347.10	20.10
3125F2	79.37	41.27	41.30	20.32	9.50	57.20	105.00	481.20	20.44
3125HF1	79.37	43.00	41.00	22.23	11.00	57.20	108.00	400.00	23.25
2814.00	88.90	44.45	36.60	22.23	12.70	58.00	117.60	471.00	25.70
2814F1	88.90	44.45	36.90	22.23	13.50	60.00	117.60	556.00	24.20
2814F2	88.90	44.45	38.60	22.23	12.70	58.00	119.60	559.00	25.40
2814F3	88.90	44.45	38.60	24.00	14.00	58.00	120.00	559.00	26.00
2814F4	88.90	44.45	36.50	22.35	12.70	57.15	108.30	471.00	23.30
DHE238R	88.90	44.45	38.10	22.12	12.70	57.15	112.80	445.00	24.67
RO1644F2	95.25	44.45	38.10	23.88	14.30	60.30	119.00	722.00	28.14
RO1644F1	96.00	44.80	39.00	23.80	14.00	60.00	119.00	530.00	27.45
*MX604	101.60	25.00	57.00	16.00	10.00	50.00	117.00	227.00	13.63
*MX704	101.60	30.00	57.00	18.00	12.00	55.00	125.50	280.00	18.99
DHAPI4P	103.04	44.53	50.80	22.20	12.70	57.15	125.50	500.00	24.27
DHAPI4PH	103.04	44.53	50.80	25.40	16.00	60.30	139.70	787.40	30.00
SB1254	103.12	45.21	30.48	23.81	12.70	57.15	107.95	400.00	22.67
SB1254F1	103.12	45.21	30.48	23.81	12.70	63.50	108.00	400.00	24.50
3214.00	103.20	44.45	48.00	22.00	13.00	55.00	123.50	476.00	23.60
3214F1	103.20	44.45	49.20	23.90	14.00	60.00	129.00	666.40	26.70
3214F2	103.20	44.45	39.70	19.05	9.50	57.20	97.60	456.00	17.67

*套筒链：表中滚子直径d1为套筒直径

*Bush chain: d1 in the table indicates the external diameter of the bush