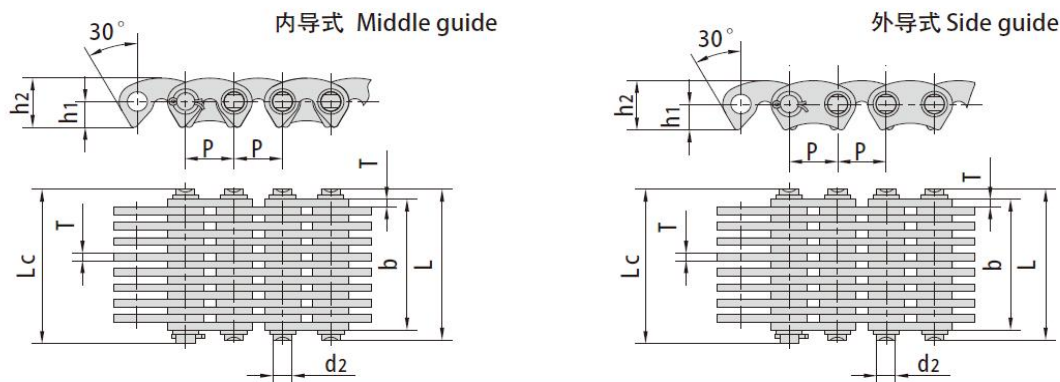


**齿形链**  
Inverted tooth chains

外接触式齿形链  
Flank contact silent chains



GB 链号	导向型式	节距	链宽	孔中心到齿尖距离	销轴直径	链板厚度	链板高度	片数	销轴长度		抗拉强度	每米长重
GB Chain No.	Guide type	Pitch	Chain width	Distance from hole center	Pin diameter	Plate thickness	plate depth	Number of plates	L	Lc	Ultimate tensile strength	Weight per meter
		P mm	b mm	h1 mm	d2 mm	T mm	h2 mm	n mm	mm	mm	U.T. S. (kN)	Wt. (kg/m)
SC3	外(Outside)	9.525	10.50	5.30	3.95	1.50	10.00	7	15.80	17.50	8.0	0.48
	外(Outside)		13.50					9	18.50	20.00	10.0	0.60
	外(Outside)		16.50					11	21.50	23.00	12.5	0.73
	外(Outside)		19.50					13	24.50	26.00	15.0	0.85
	外(Outside)		22.50					15	27.50	29.00	17.5	1.00
	内(Inside)		28.50					19	33.50	35.00	22.5	1.26
	内(Inside)		34.50					23	39.50	41.50	27.5	1.60
	内(Inside)		37.50					25	42.50	44.00	30.0	1.73
	内(Inside)		40.50					27	45.50	47.50	32.5	1.86
	内(Inside)		43.50					29	48.50	50.20	35.0	1.99
内(Inside)	46.50	31	51.50	53.00	37.0	2.12						
SC4	外(Outside)	12.70	19.50	7.00	5.08	1.50	13.40	13	24.50	26.00	23.4	1.15
	外(Outside)		22.50					15	27.50	29.0	27.4	1.33
	外(Outside)		25.50					17	30.50	32.0	31.3	1.50
	内(Inside)		28.50					19	33.50	35.0	35.2	1.68
	内(Inside)		34.50					23	39.50	41.0	43.0	2.04
	内(Inside)		40.50					27	45.50	47.0	50.8	2.39
	内(Inside)		46.50					31	51.50	53.0	58.6	2.74
	内(Inside)		52.50					35	57.50	59.0	66.4	3.10
	内(Inside)		61.50					41	67.80	69.5	78.2	3.68
SC5	内(Inside)	15.875	22.00	8.70	5.92	2.00	16.70	11	29.00	30.2	32.6	1.62
	内(Inside)		26.00					13	33.00	34.2	39.0	1.92
	内(Inside)		30.00					15	37.00	38.2	45.6	2.21
	内(Inside)		34.00					17	41.00	42.2	52.1	2.51
	内(Inside)		38.00					19	45.00	46.2	58.6	2.80
	内(Inside)		42.00					21	49.00	50.3	65.1	3.10
	内(Inside)		46.00					23	53.00	54.2	71.7	3.39
	内(Inside)		50.00					25	57.00	58.4	75.0	3.69
	内(Inside)		54.00					27	61.00	62.4	84.7	3.99
	内(Inside)		62.00					31	69.00	70.4	97.7	4.58
	内(Inside)		66.00					33	73.00	74.4	100.0	4.88
	内(Inside)		70.00					35	77.00	78.4	111.0	5.18
	内(Inside)		78.00					39	85.00	86.4	124.0	5.77